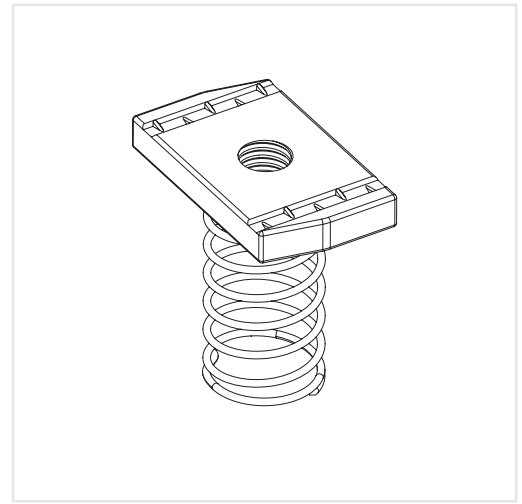
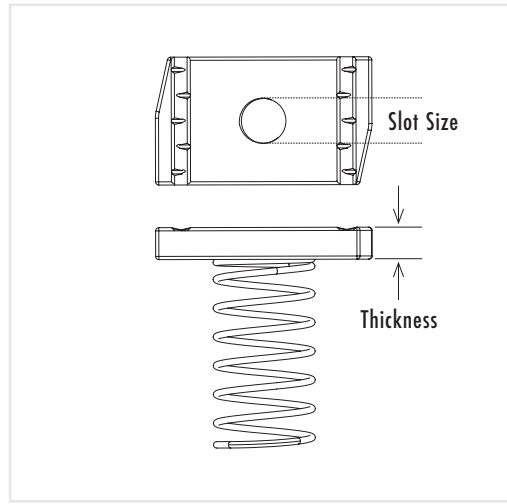
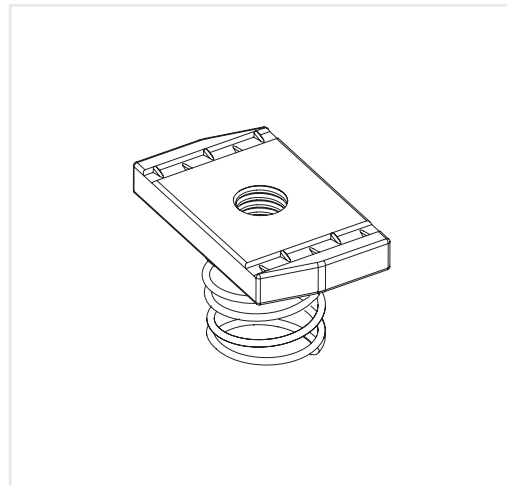




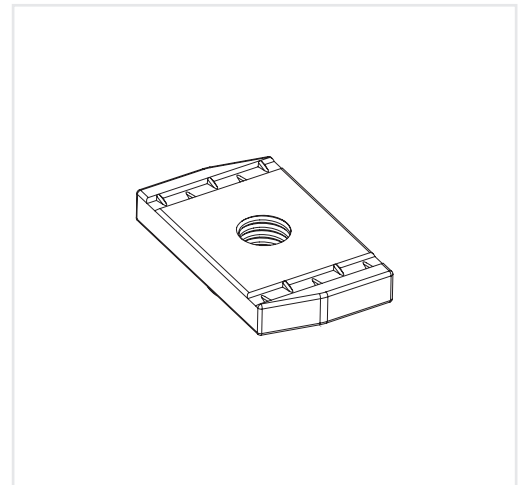
**Channel
Nut**



Long Spring Nut
for 41 x 41mm U-Channel



Short Spring Nut
for 21 x 41mm U-Channel

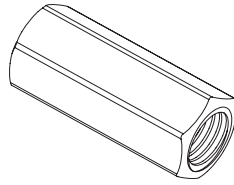


Channel nut
for 21 x 41mm U-Channel

Slot Size	Standard Product Code			
	Thickness	Long Spring	Short Spring	Channel Nut
M6	5mm	LSC - 6	SSC - 6	CN - 6
M8	6mm	LSC - 8	SSC - 8	CN - 8
M10	8mm	LSC - 10	SSC - 10	CN - 10
M12	8mm	LSC - 12	SSC - 12	CN - 12
M16	12mm	LSC - 16	SSC - 16	CN - 16



Accessories

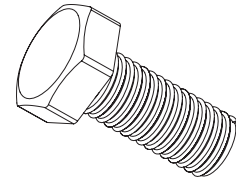


Product Code	Size
CPNM6	M6
CPNM8	M8
CPNM10	M10
CPNM12	M12

Threaded Rod Coupling

Product Code

CPN + Size

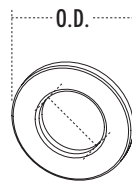


Product Code	Size
HSSM6	M6
HSSM8	M8
HSSM10	M10
HSSM12	M12

Hex Set Screw

Product Code

HSS + Size

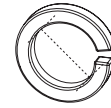


Product Code	Size	O.D.	
		for ZP/ HDG	for SS
FWM6	M6	19	12
FWM8	M8	22	15
FWM10	M10	25	20
FWM12	M12	32	23

Flat Washer

Product Code

FW + Size

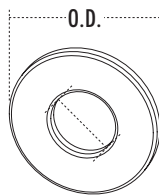


Product Code	Size
SWM6	M6
SWM8	M8
SWM10	M10
SWM12	M12

Spring Washer

Product Code

SW + Size

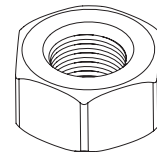


Product Code	Size	O.D.	
		for ZP/ HDG	for SS
SFWM6	M6	25	18
SFWM8	M8	30	25
SFWM10	M10	30	30

Fender Washer

Product Code

SFW + Size



Product Code	Size
HN6	M6
HN8	M8
HN10	M10
HN12	M12

Hex Nut

Product Code

HN + Size

Material Standard

Standard Size:

M5 / M6 / M8 / M10

M12 / M16 / M20

Grade 4.8 & Grade 8.8

to

ISO 898 Part 1: 2009

Material

Steel / SS

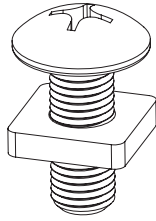
Finishing

Hot dip galvanized to ISO 1461:1999

Zinc plated to BS 7371 - 12 : 2008



Accessories

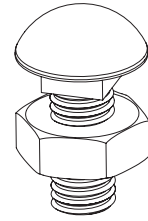


Product Code	Size
GBNM5	M5
GBNM6	M6
GBNM8	M8
GBNM10	M10

Gutter Bolt & Square Nut

Product Code

GBN + Size



Product Code	Size
CSNM6	M6
CSNM8	M8
CSNM10	M10
CSNM12	M12

Cup Square Bolt & Nut

Product Code

CSN + Size

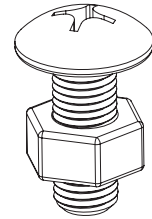


Product Code	Size
CPSM8	M8
CPSM10	M10
CPSM12	M12

Cone Point Screw

Product Code

CPS + Size

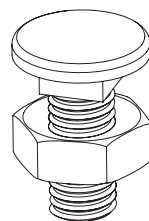


Product Code	Size
DHSM5	M5
DHSM6	M6
DHSM8	M8
DHSM10	M10

Dome Head Slotted Bolt & Nut

Product Code

DHS + Size

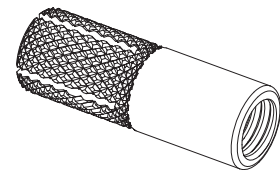


Product Code	Size
RNBM5	M5
RNBM6	M6
RNBM8	M8
RNBM10	M10

Square Neck Round Head Bolt & Nut

Product Code

RNB + Size



Product Code	Size
DAM8	M8
DAM10	M10
DAM12	M12

Drop in Anchor

Product Code

DA + Size

Material Standard

Standard Size:

M5 / M6 / M8 / M10

M12 / M16 / M20

Grade 4.8 & Grade 8.8

to

ISO 898 Part 1: 2009

Material

Steel / SS

Finishing

Hot dip galvanized to ISO 1461:1999

Zinc plated to BS 7371 - 12 : 2008