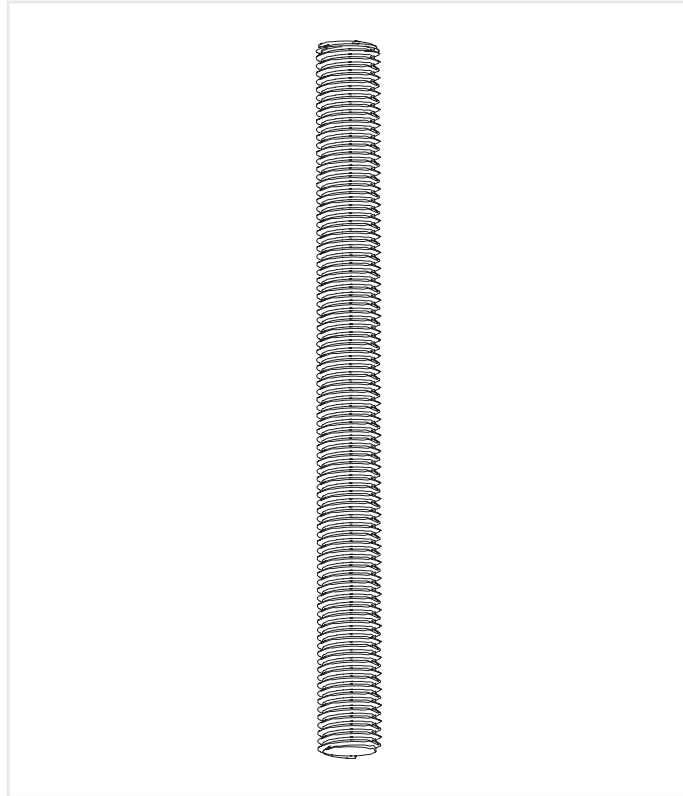




# Threaded Rod

Grade 4.8/8.8  
 HDG/ZP Steel Threaded Rods 3000mm  
 熱浸鉛水/鍍鋅絲杆 3米



### Material Standard

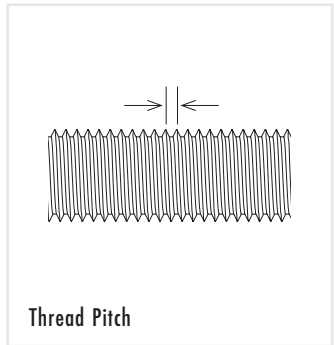
Grade 4.8 & Grade 8.8  
 to  
 ISO 898 Part 1: 2009

### Material

Steel

### Finishing

Hot dip galvanized to ISO 1461:1999  
 Zinc plated to BS 7371 - 12 : 2008



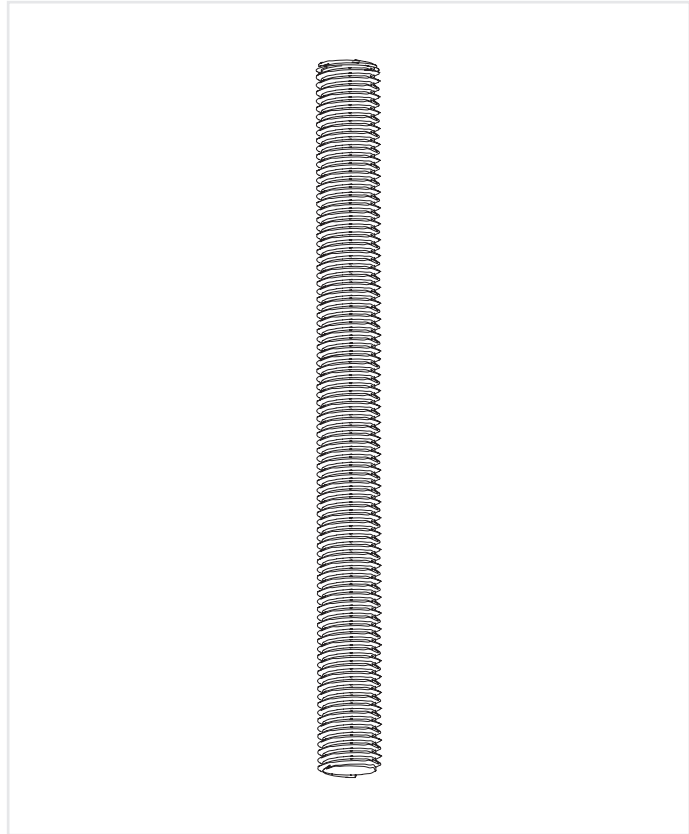
4.8 / 8.8 HDG / ZP Meter  
 Order example : HDG-8.8 M20x3000 (Order Code: 02033.200.300)

Size	Thread Pitch	02013	02001	02033	02031	Packing
		Grade 4.8 HDG 熱浸鉛水 4.8	Grade 4.8 ZP 鍍鋅 4.8	Grade 8.8 HDG 熱浸鉛水 8.8	Grade 8.8 ZP 鍍鋅 8.8	
M6	1.0	02013.060.300	02001.060.300		02031.060.300	50
M8	1.25	02013.080.300	02001.080.300		02031.080.300	25
M10	1.5	02013.100.300	02001.100.300	02033.100.300	02031.100.300	20
M12	1.75	02013.120.300	02001.120.300	02033.120.300	02031.120.300	10
M16	2.0	02013.160.300	02001.160.300	02033.160.300	02031.160.300	5
M20	2.5	02013.200.300	02001.200.300	02033.200.300	02031.200.300	5
M24	3.0	02013.240.300	02001.240.300	02033.240.300	02031.240.300	4
M27	3.0			02033.270.300	02031.270.300	2
M30	3.5			02033.300.300	02031.300.300	2
M33	3.5			02033.330.300	02031.330.300	1
M36	4.0			02033.360.300	02031.360.300	1
M39	4.0			02033.390.300		1
M42	4.5			02033.420.300		1
M45	4.5			02033.450.300		1
M48	5.0			02033.480.300		1
M52	5.0			02033.520.300		1



# Threaded Rod

Inch Size Steel Threaded Rods 3000mm  
英制絲杆 3米



### Material Standard

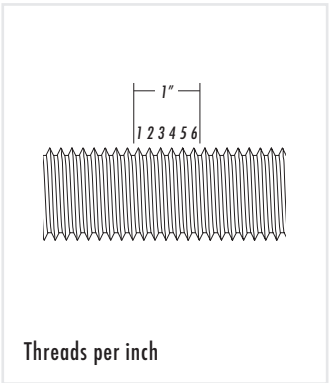
Grade 4.8 & Grade 8.8  
to  
ISO 898 Part 1: 2009

### Material

Steel / Stainless Steel

### Finishing

Hot dip galvanized to ISO 1461:1999  
Zinc plated to BS 7371 - 12 : 2008



02001 (DIN 975 ZP) / 72002 (ST/ A2)

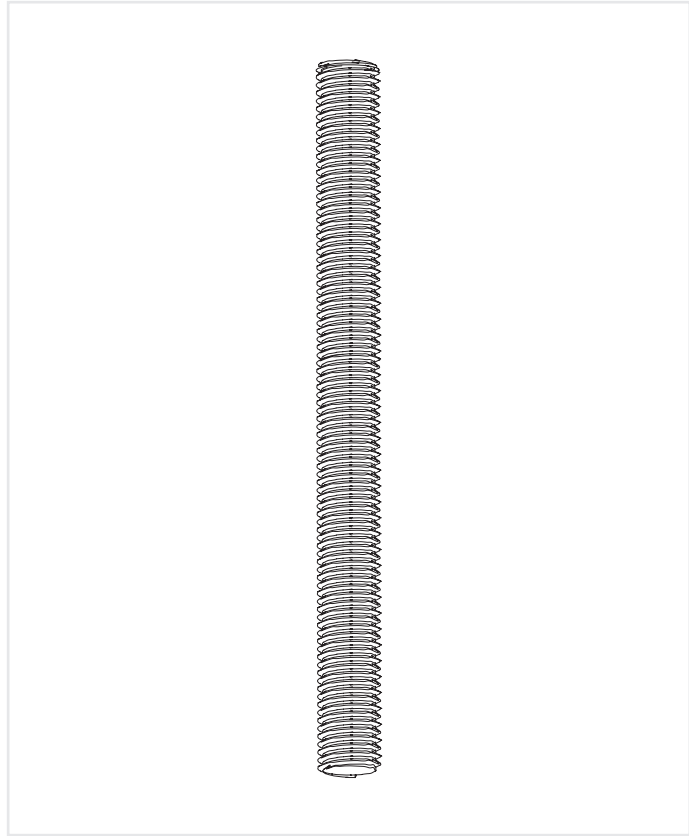
Order example : DIN 975 ZP Steel 1/4x3000 (Order Code : 02001.063.300)

Size	Threads per inch	Grade 4.8 ZP 鍍鋅 4.8	Stainless Steel 白鋼	Packing
1/4	20	02001.063.300	72002.063.300	50
5/16	18	02001.079.300	72002.079.300	25
3/8	16	02001.096.300	72002.096.300	20
1/2	12	02001.127.300	72002.127.300	10
5/8	11	02001.158.300	72002.158.300	5
3/4	10	02001.191.300	72002.191.300	5
1	8	02001.254.300	72002.254.300	4
1-1/4	7	02001.317.300		2
1-1/2	6	02001.381.300		1



# Threaded Rod

Grade SS304 / SS316 Threaded Rods 3000mm  
不鏽鋼 SS304 / SS316 絲杆 3米

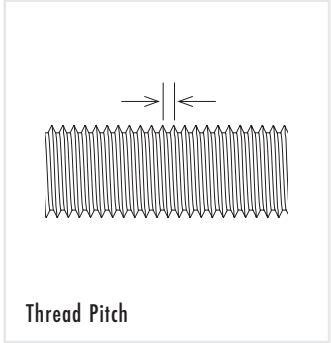


### Material Standard

Grade SS304 & SS316

### Material

Stainless Steel



Thread Pitch

SS304 / SS316 Stainless Steel Meter

Order example : SS316 M20x3000 (Order Code : 00316.200.300)

Size	Thread Pitch	00304		00316		Packing
		Grade SS304 不鏽鋼 SS304	Grade SS316 不鏽鋼 SS316	Grade SS304 不鏽鋼 SS304	Grade SS316 不鏽鋼 SS316	
M6	1.0	00304.060.300	00316.060.300	00304.060.300	00316.060.300	50
M8	1.25	00304.080.300	00316.080.300	00304.080.300	00316.080.300	25
M10	1.5	00304.100.300	00316.100.300	00304.100.300	00316.100.300	20
M12	1.75	00304.120.300	00316.120.300	00304.120.300	00316.120.300	10
M16	2.0	00304.160.300	00316.160.200	00304.160.300	00316.160.200	5
M20	2.5	00304.200.300	00316.200.300	00304.200.300	00316.200.300	5
M24	3.0	00304.240.300	00316.240.300	00304.240.300	00316.240.300	4
M27	3.0					2
M30	3.5					2
M33	3.5					1
M36	4.0					1
M39	4.0					1
M42	4.5					1
M45	4.5					1
M48	5.0					1
M52	5.0					1