



K.T.



KAM TAI Floor Trunking Systems

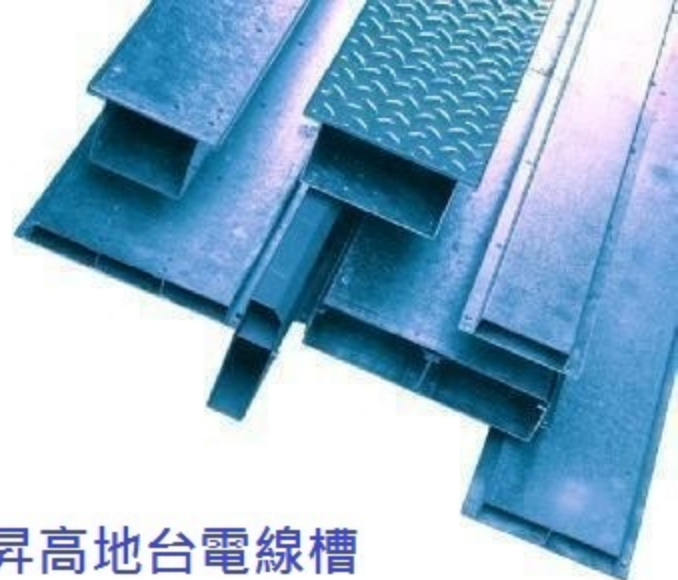
KAM TAI PRODUCT (HK) CO., LTD.

G/F 148, TEXACO ROAD, LUNG SING FACTORY BUILDING,
TSUEN WAN, N.T., HKSAR

Website: www.ktp-hk.com E-mail: cs@ktp-hk.com



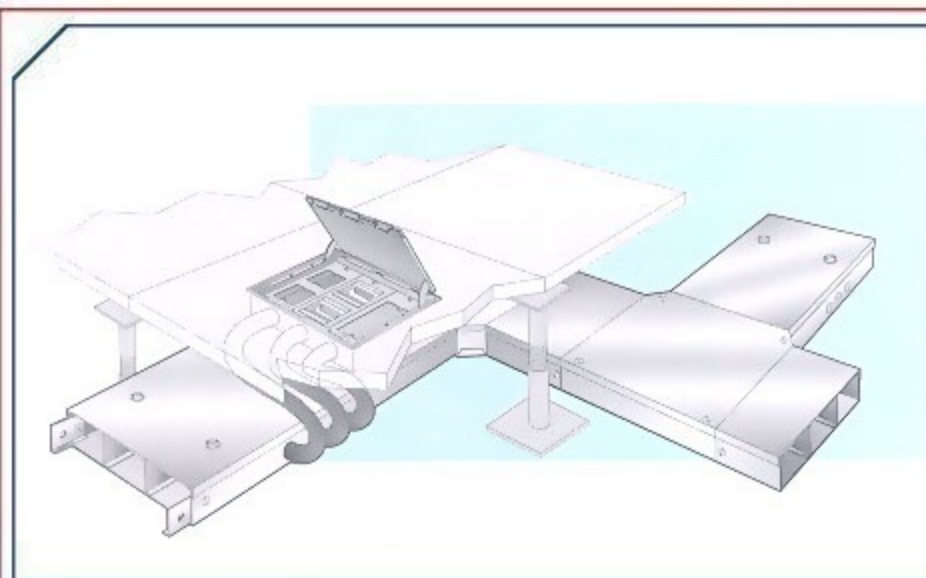
K.T.



KAM TAI 金泰 地槽系列

FLOOR TRUNKING SERIES

Raise Floor Trunking Systems 昇高地台電線槽



Materials: (材質)

Galvanized steel to BS4678 Part 1 : Class 3 to BS EN 10143 (275/gm)

鍍鋅符合英國 BS4678 第1章3級抗蝕保護

Mild Steel to BS 1449-1 and Hot-Dipped Galvanized finishing to ISO 1461

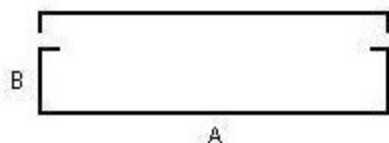
熱浸鉛水符合ISO 1461 防鏽級別
原料符合英國 BS1449-1 標準

Stainless Steel to SS304 or SS316.

不鏽鋼原料符合 SS304 或 SS316 標準

標準型

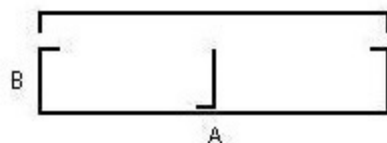
STANDARD



KT + / standard code

分雙格

2-Compartment



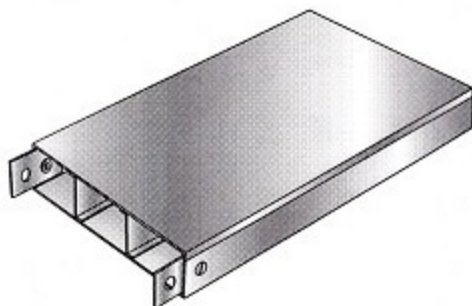
KT + / standard code + / 2C

分三格

3-Compartment



KT + / standard code + / 3C



Trunking:

Each length is 2.44m and supplied with Turnbuckle fixed or Spring clip fixed cover, coupler, fixing screws and earth link

標準長度 (2.44米) 配件包括: 槽駁片, 螺絲, 水線片及夾仔槽蓋 或 肚臍槽蓋

Extra length 0.6m / 1.2m / 1.8m available to clients order

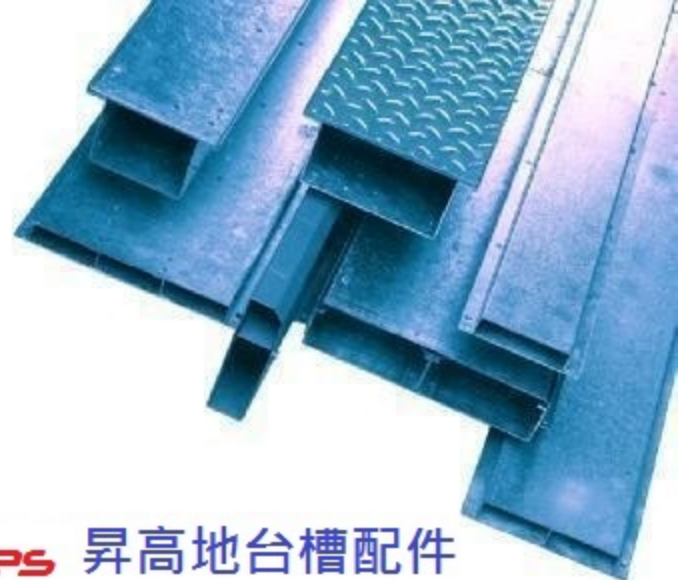
可訂製其它長度

Technical specifications and comply standard

Non standard thickness and finishes available to clients order.

Comply IEC 61084-1 standard

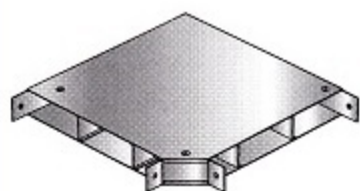
K.T.



KAM TAI 金泰 地槽系列

FLOOR TRUNKING SERIES

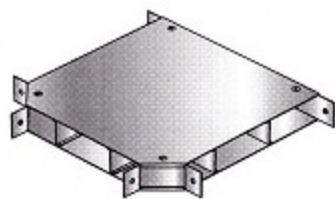
Raise Floor Trunking Accessories 昇高地台槽配件



90 度面曲

90 degree bend

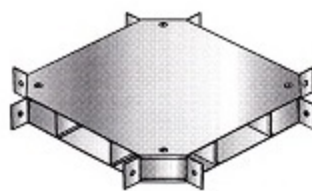
Standard code + / FB



T 三叉

Flat Tee

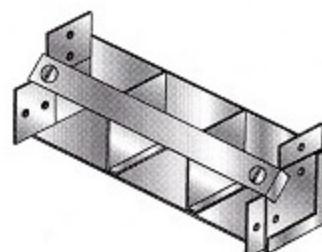
Standard code + / FT



十字叉

Four Way

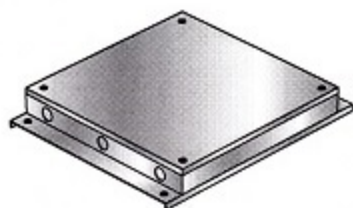
Standard code + / FW



上昇曲位

Riser Bend

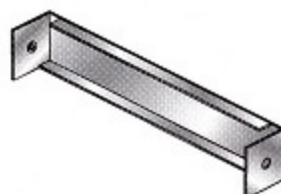
Standard code + / RB



槽蓋箱

Header Box

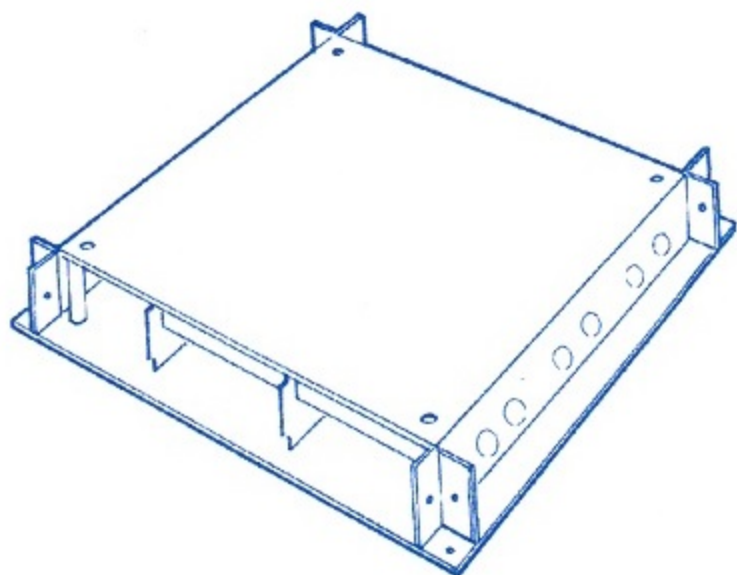
Standard code + / HB



槽尾封

Stop End Cap

Standard code + / SE

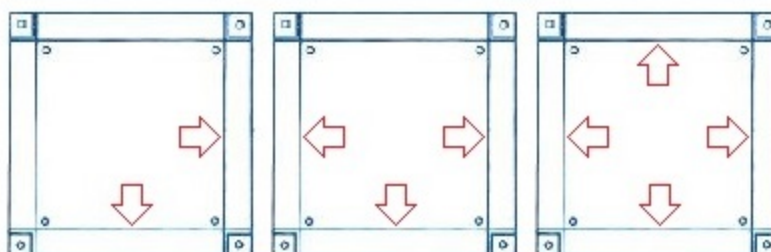


地槽箱

Junction Box

Standard code + / JB

Easily for cable arrangement,
available to straight run, 90 degree, tee, cross & flexible
conduit outlet



K.T.

KAM TAI Floor Trunking Systems



Standard Product Code

Trunking Size A (mm) B	Available Material Thickness (mm)	Standard Code
50 x 25	1.0 / 1.2 / 1.4 / 1.6	5025
75 x 25	1.2 / 1.4 / 1.6	7525
100 x 25	1.2 / 1.4 / 1.6	1025
150 x 25	1.4 / 1.6	1525
200 x 25	1.4 / 1.6	2025
300 x 25	1.6 / 2.0	3025
400 x 25	1.6 / 2.0	4025
500 x 25	1.6 / 2.0	5025
600 x 25	1.6 / 2.0	6025
50 x 40	1.0 / 1.2 / 1.4 / 1.6	5040
75 x 40	1.2 / 1.4 / 1.6	7540
100 x 40	1.2 / 1.4 / 1.6	1040
150 x 40	1.4 / 1.6	1540
200 x 40	1.4 / 1.6	2040
300 x 40	1.6 / 2.0	3040
400 x 40	1.6 / 2.0	4040
500 x 40	1.6 / 2.0	5040
600 x 40	1.6 / 2.0	6040
50 x 50	1.0 / 1.2 / 1.4 / 1.6	5050
75 x 50	1.2 / 1.4 / 1.6	7550
100 x 50	1.2 / 1.4 / 1.6	1050
150 x 50	1.4 / 1.6	1550
200 x 50	1.4 / 1.6	2050
300 x 50	1.6 / 2.0	3050
400 x 50	1.6 / 2.0	4050
500 x 50	1.6 / 2.0	5050
600 x 50	1.6 / 2.0	6050
75 x 75	1.2 / 1.4 / 1.6	7575
100 x 75	1.2 / 1.4 / 1.6	1075
150 x 75	1.4 / 1.6	1575
200 x 75	1.4 / 1.6	2075
300 x 75	1.6 / 2.0	3075
400 x 75	1.6 / 2.0	4075
500 x 75	1.6 / 2.0	5075
600 x 75	1.6 / 2.0	6075
100 x 100	1.4 / 1.6	1010
150 x 100	1.4 / 1.6	1510
200 x 100	1.4 / 1.6	2010
300 x 100	1.6 / 2.0	3010
400 x 100	1.6 / 2.0	4010
500 x 100	1.6 / 2.0	5010
600 x 100	1.6 / 2.0	6010