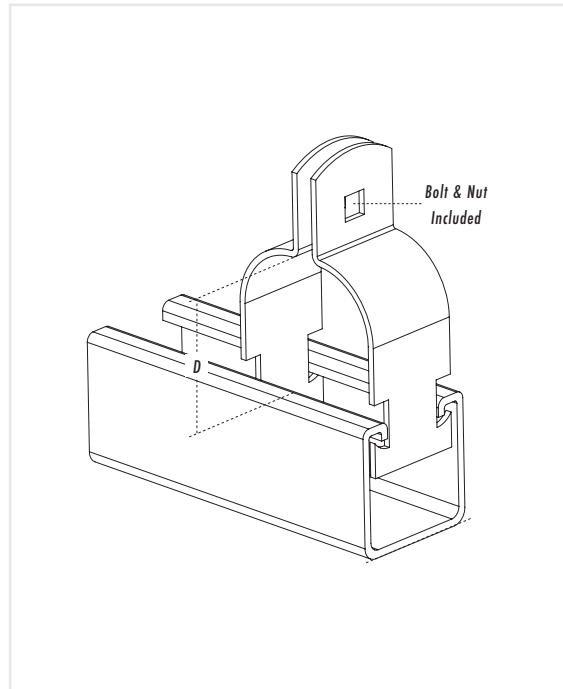


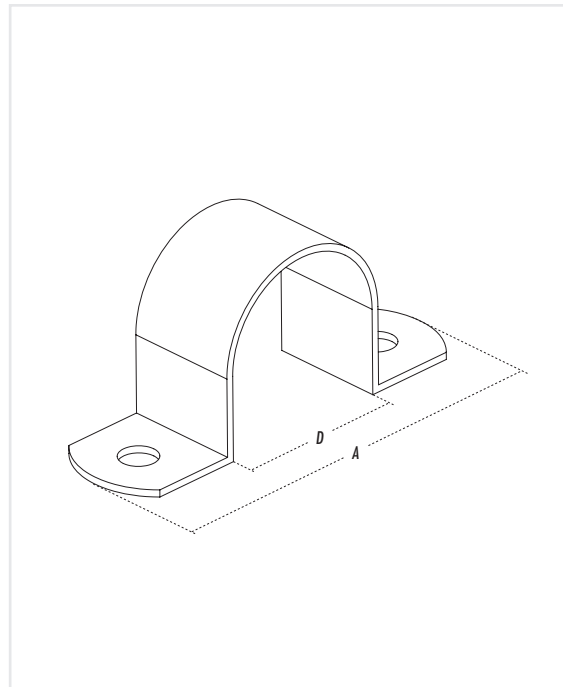


**Cable &  
Pipe Clamps**  
電線及管道夾碼



**Clamp**  
Finish - ZP/HDG/SS304/SS316

Description	D
K2-21	21
K2-24	24
K2-27	27
K2-30	30
K2-35	35
K2-40	40
K2-44	44
K2-48	48
K2-52	52
K2-55	55
K2-60	60
K2-65	65
K2-73	73
K2-78	78
K2-85	85

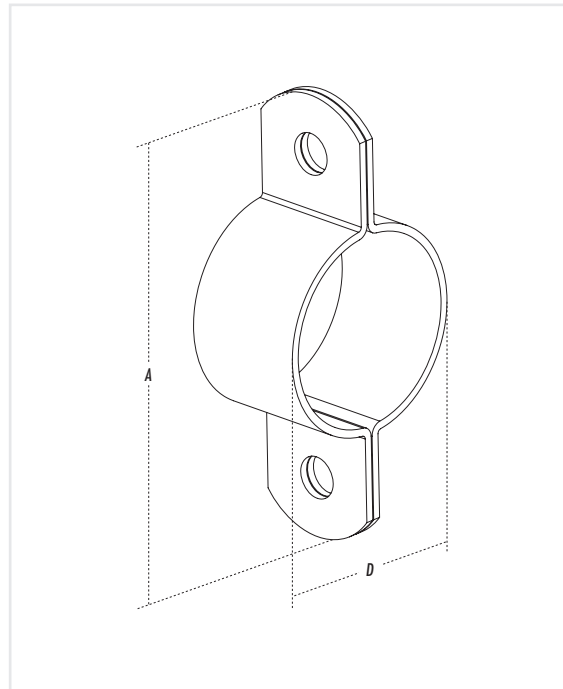


**Clamp**  
Finish - HDG/SS304/SS316

Description	D	A
K3 - 19	19	75
K3 - 27	27	83
K3 - 34	34	90
K3 - 48	48	114
K3 - 60	60	126
K3 - 76	76	162
K3 - 89	89	175
K3 - 102	102	188
K3 - 114	114	200
K3 - 140	140	230
K3 - 152	152	242
K3 - 168	168	258
K3 - 203	203	293

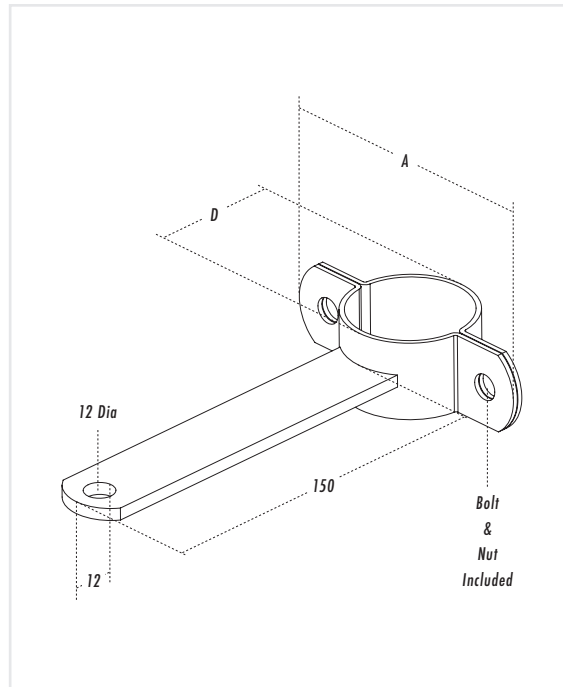


**Cable &  
Pipe Clamps**  
電線及管道夾碼



**Hanger Clamp**  
Finish - HDG/SS304/SS316

Description	D	A
K4 - 19	19	75
K4 - 27	27	83
K4 - 34	34	90
K4 - 48	48	114
K4 - 60	60	126
K4 - 76	76	162
K4 - 88	88	172
K4 - 102	102	188
K4 - 114	114	200
K4 - 127	127	213
K4 - 140	140	230
K4 - 152	152	242
K4 - 168	168	258
K4 - 178	178	268
K4 - 203	203	293



**Hanger Clamp**  
Finish - HDG/SS304/SS316

Description	D	A
K5 - 19	19	75
K5 - 27	27	83
K5 - 34	34	90
K5 - 48	48	114
K5 - 60	60	126
K5 - 76	76	162
K5 - 89	89	175
K5 - 102	102	188
K5 - 114	114	200
K5 - 127	127	213
K5 - 140	140	230
K5 - 152	152	242
K5 - 168	168	258
K5 - 203	203	293