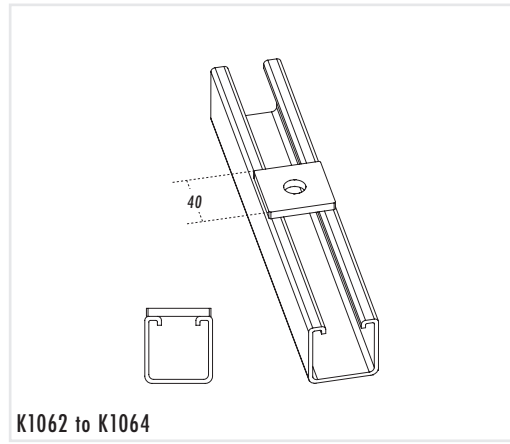


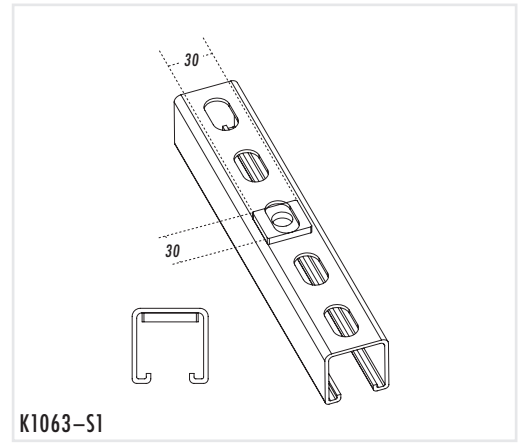


# U-Channels Fittings 承托骨架配件



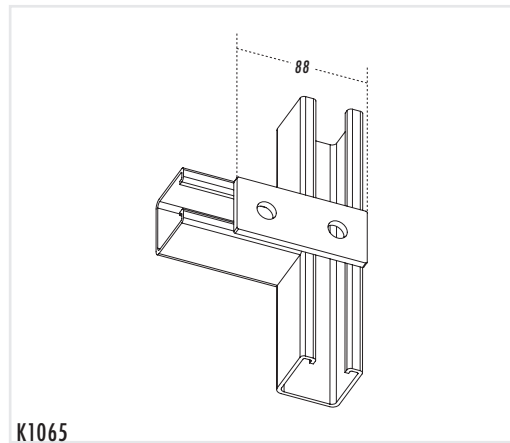
K1062 to K1064

	Hole Size (mm)	Thread Size (mm)	Weight Each (mm)
1062	8	6	72
1062/A	10	8	71
1063	12	10	70
1064	14	12	68

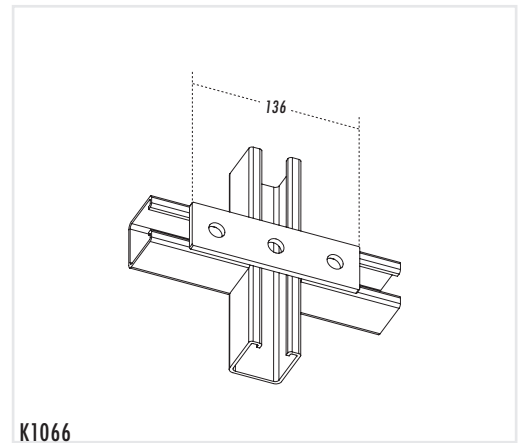


K1063-S1

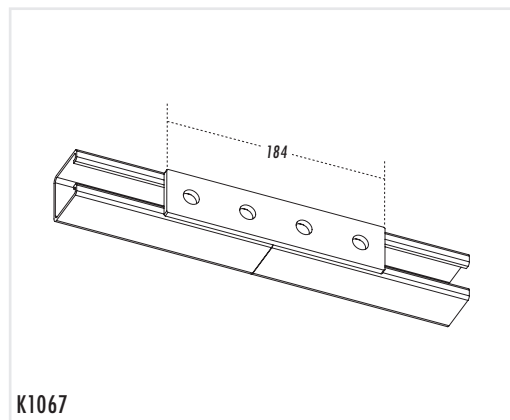
	Hole Size (mm)	Thread Size (mm)	Weight Each (mm)
1063-S1/06	8	6	72
1063-S1/08	10	8	71
1063-S1/10	12	10	70
1063-S1/12	14	12	68



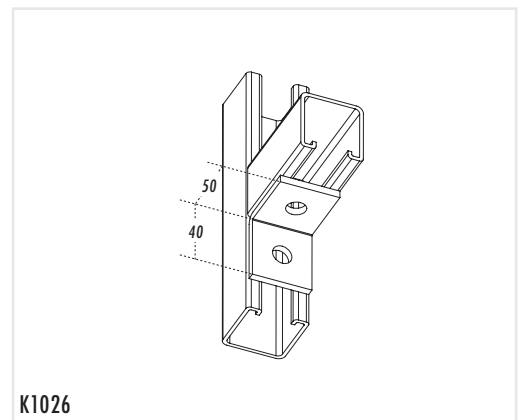
K1065



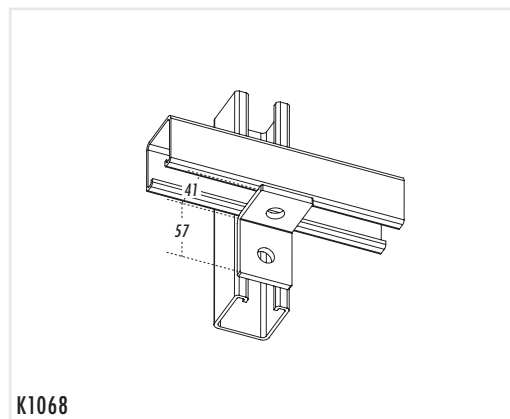
K1066



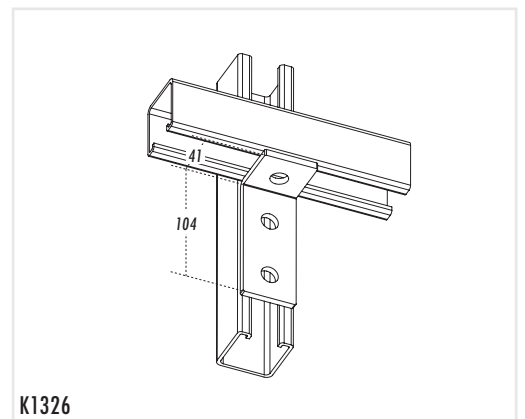
K1067



K1026



K1068



K1326

**Fitting specification (unless noted):**

Holes : 13mm diameter

Hole spacing : 20mm from end and 48mm on center;

Width : 40mm;

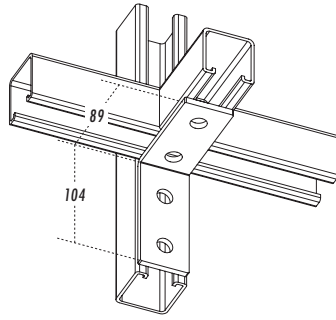
Thickness 5mm (Order hardware separately)

Standard Finishes: GI / HDG / SS304 /

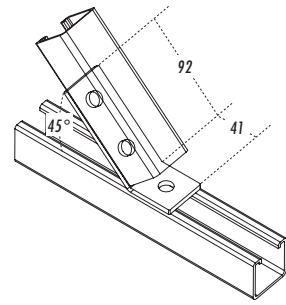
SS316 / EP / PC



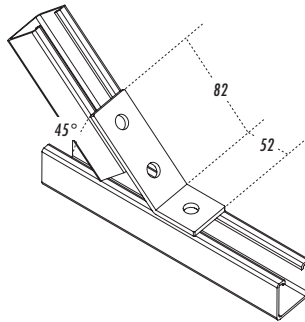
## U-Channels Fittings 承托骨架配件



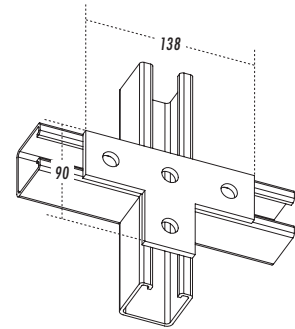
K1325



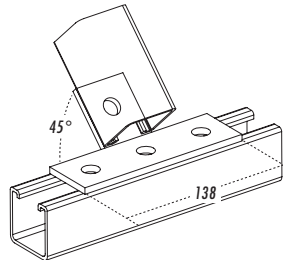
K1073



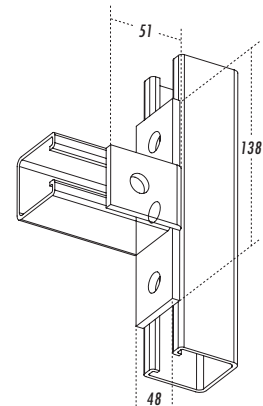
K1546



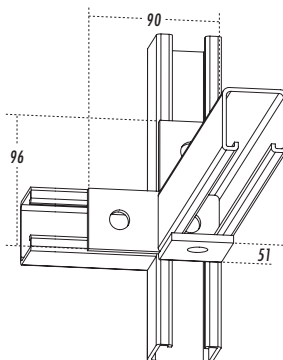
K1031



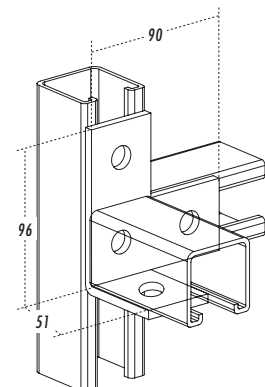
K1032



K1033



K1034



K1035

### Fitting specification (unless noted):

Holes : 13mm diameter

Hole spacing : 20mm from end and 48mm on center;

Width : 40mm;

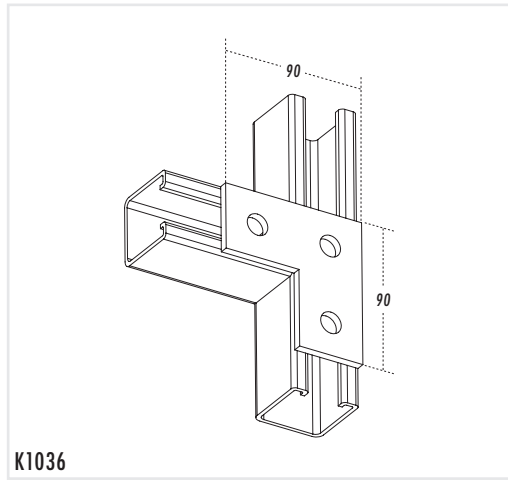
Thickness 5mm (Order hardware separately)

Standard Finishes: GI / HDG / SS304 /

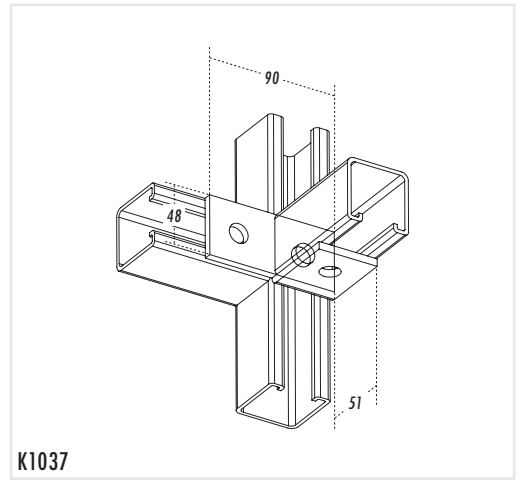
SS316 / EP / PC



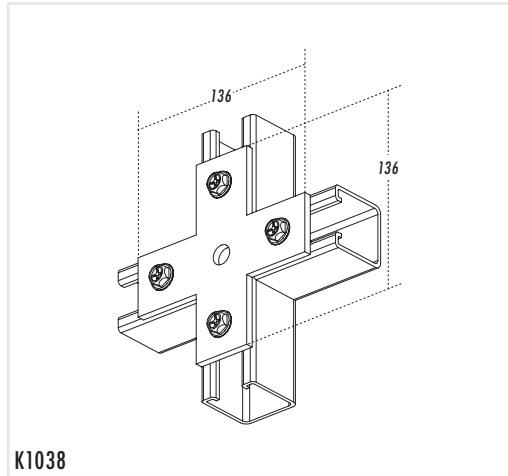
# U-Channels Fittings 承托骨架配件



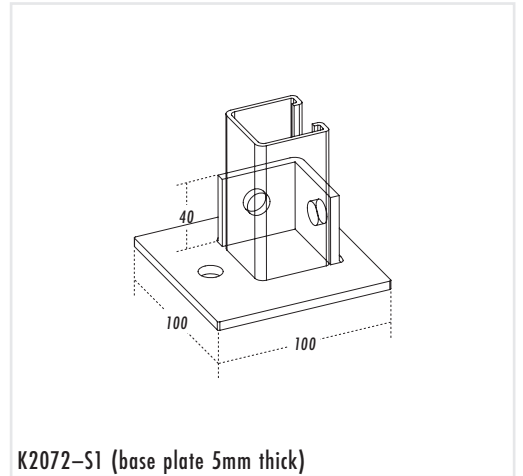
K1036



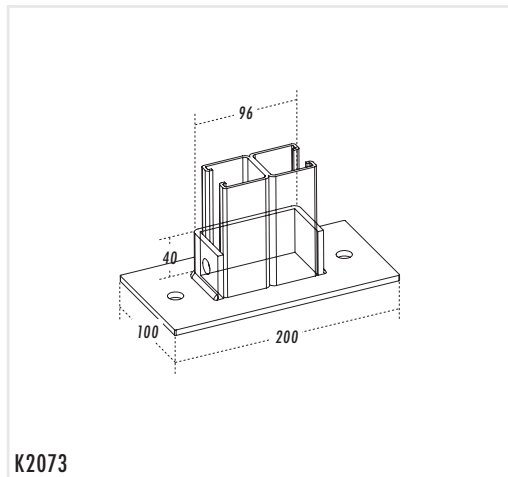
K1037



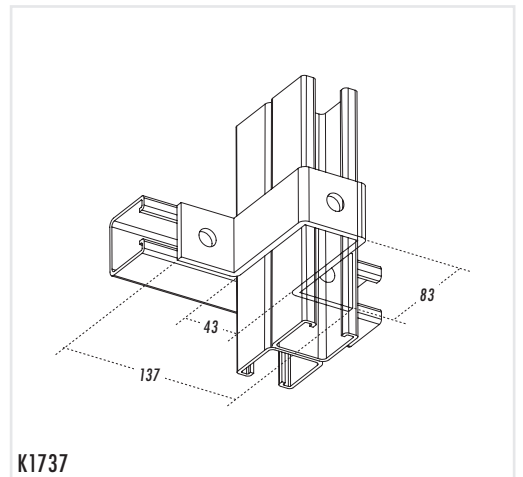
K1038



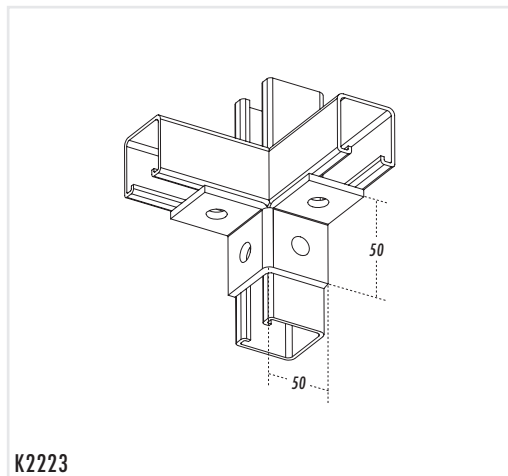
K2072-S1 (base plate 5mm thick)



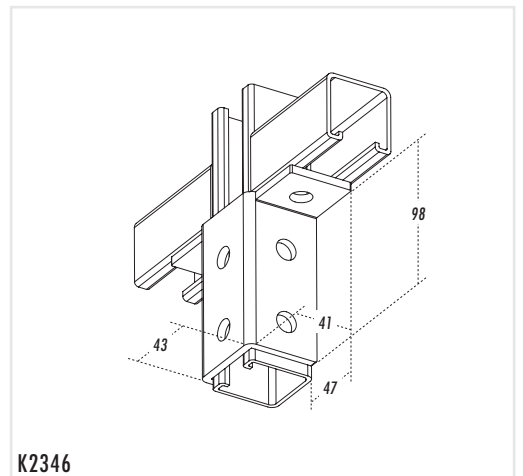
K2073



K1737



K2223



K2346

**Fitting specification (unless noted):**

Holes : 13mm diameter

Hole spacing : 20mm from end and 48mm on center;

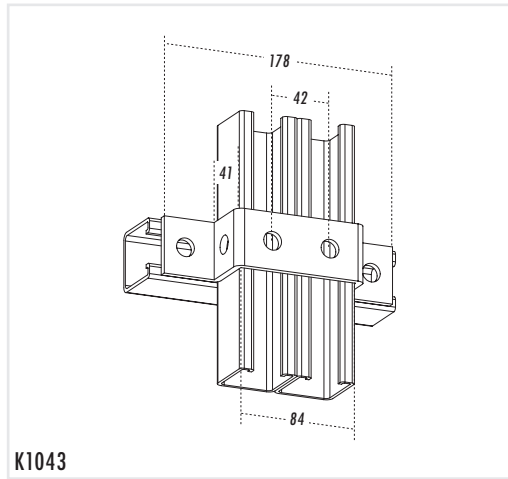
Width : 40mm;

Thickness 5mm (Order hardware separately)

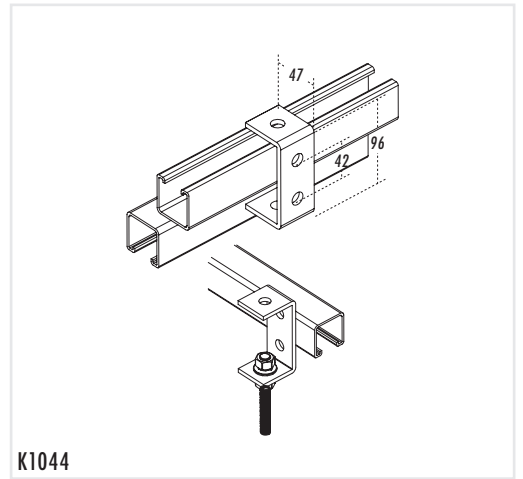
Standard Finishes: GI / HDG / SS304 / SS316 / EP / PC



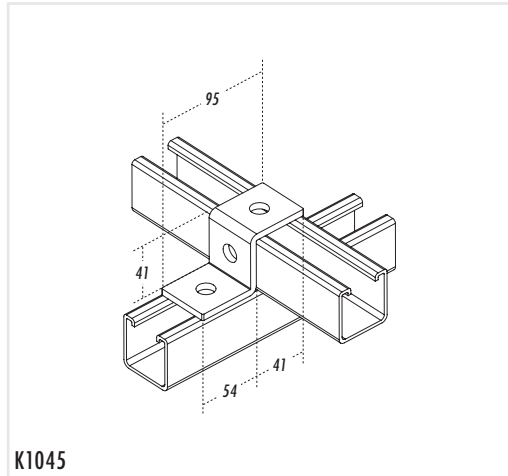
# U-Channels Fittings 承托骨架配件



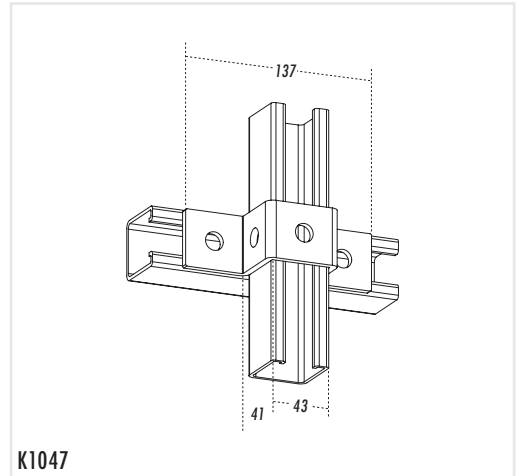
K1043



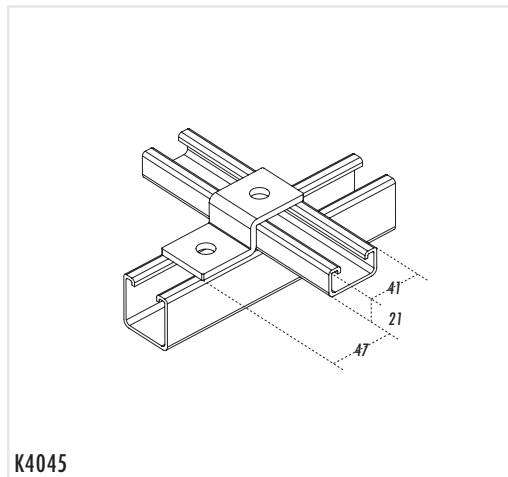
K1044



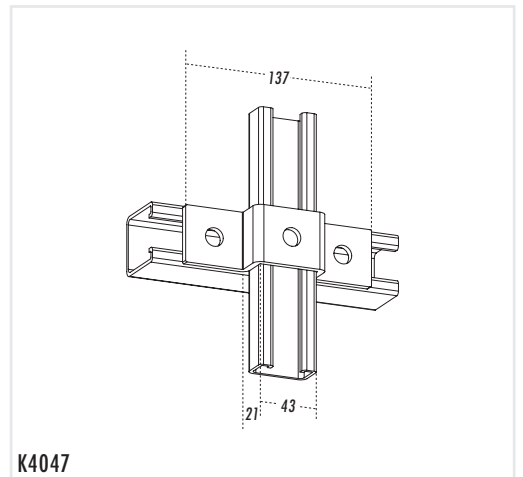
K1045



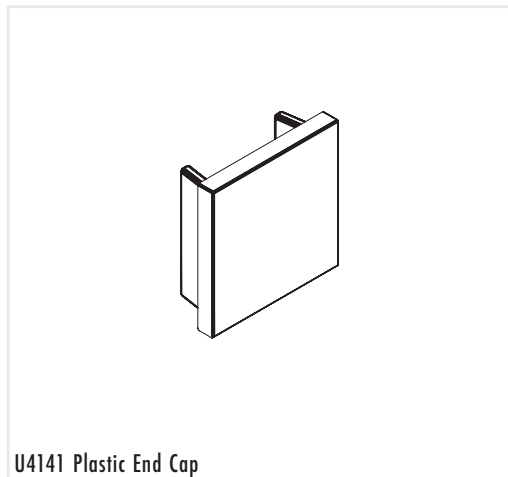
K1047



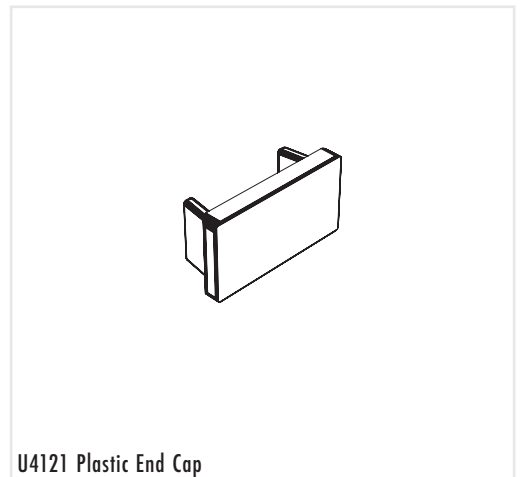
K4045



K4047



U4141 Plastic End Cap



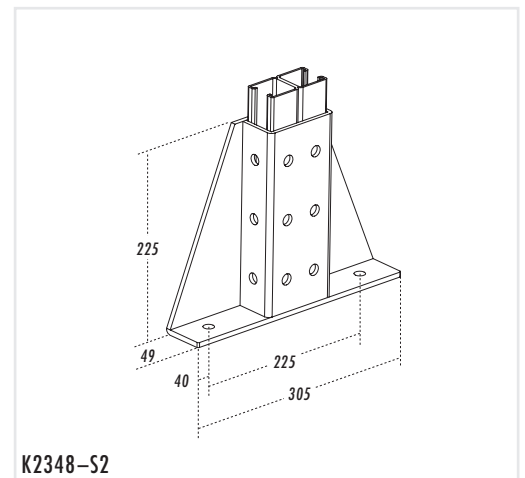
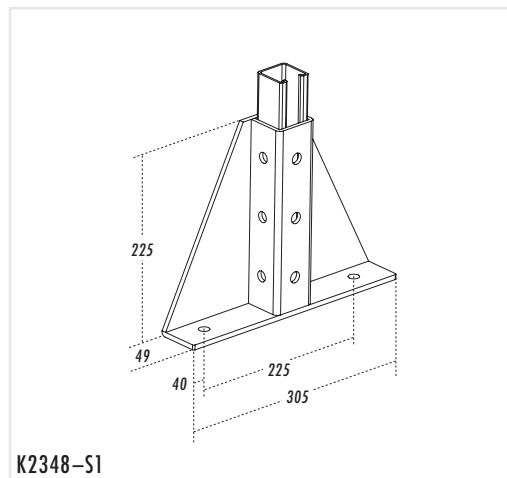
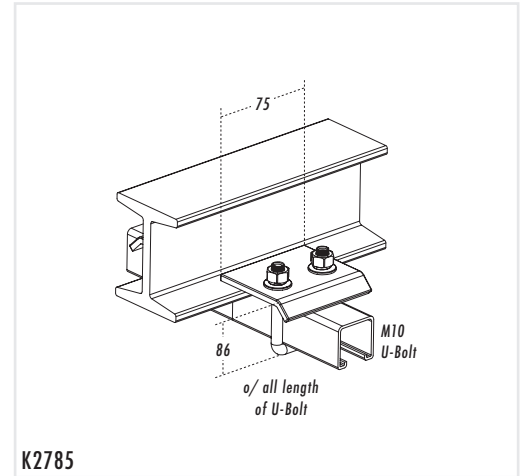
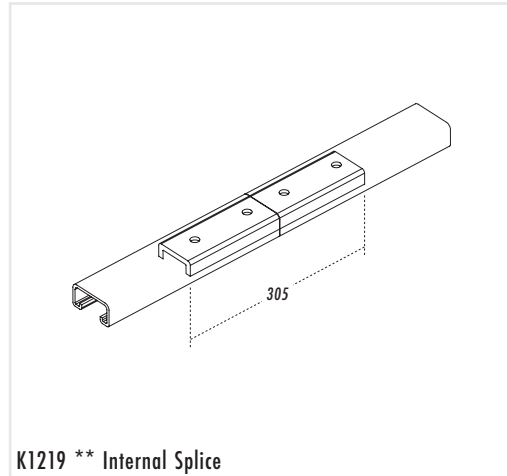
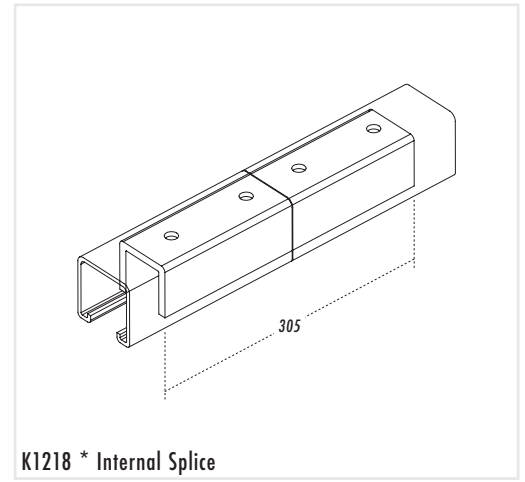
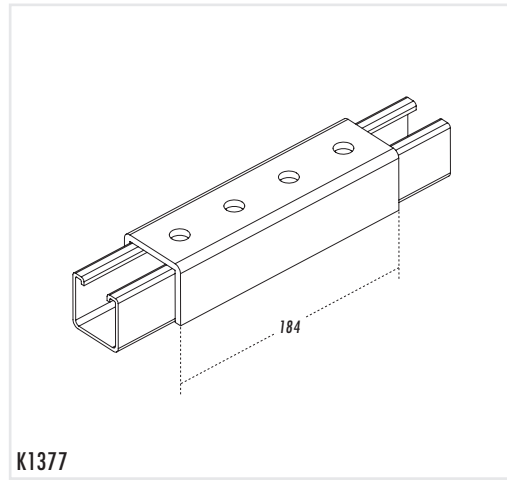
U4121 Plastic End Cap

\* U4141 is manufactured from PVC and finished in white color, for use with UC4141 and UC4141S channel.

\*\* U4121 is manufactured from PVC and finished in white color, for use with UC4121 and UC4121S channel.



## U-Channels Fittings 承托骨架配件



\* K1218 for use with UC4141, and UCD4141 channel.  
N.B.4 No. M6 Pan head fixing screws are included.

\*\* K1219 for use with UC4121, and UCD4121 channel.  
N.B.4 No. M6 Pan head fixing screws are included.