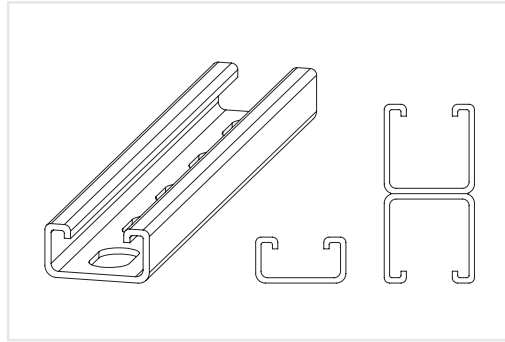




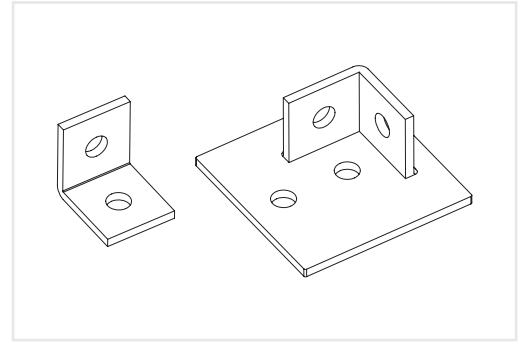
U-Channels 承托骨架

This is a kind of universal strut system, allowing assembly of a wide variety of configurations quickly and easily. Plain, slotted, double or other combination of channels provide suitable configurations for different load and application requirements. The system is fully adjustable and reusable by a versatile range of fittings and accessories. Whilst the framing system is assembled, they will provide similar strength as welding connections. This system is designed for multi-purpose application without hot works.



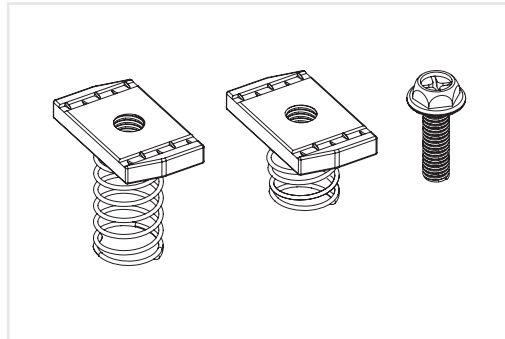
Channels

Manufactured from high quality mild steel, pre-galvanized steel or stainless steel comply to BS 6946 standard.



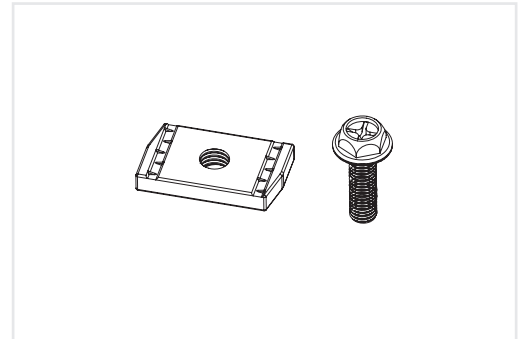
Fittings

Manufactured from steel bar comply to BS EN 10277 and shall be zinc plate to BS 7371-12, stainless steel 304 / 316 or hot-dipped galvanized to ISO 1461 finished available to order.



Long / short spring nut & hex head screw (G8.8)

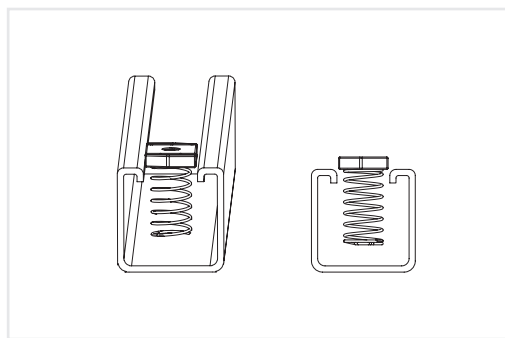
Manufactured from steel bar comply to BS EN 10277 and shall be zinc plate to BS 7371-12 or stainless steel 304 / 316 Available threaded size M6 / M8 / M10 / M12 / M16



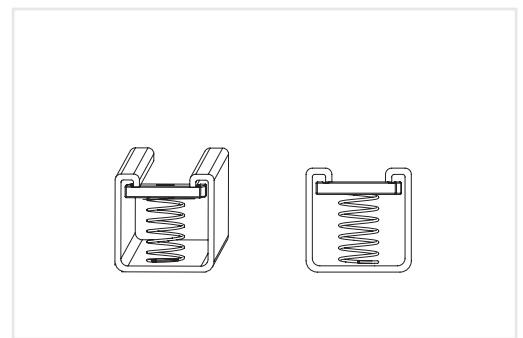
Channel nut w/o spring & hex head screw (G8.8)



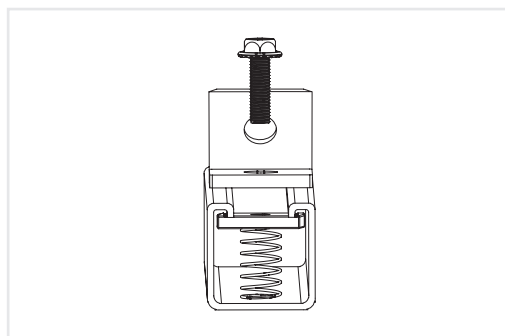
Application Method



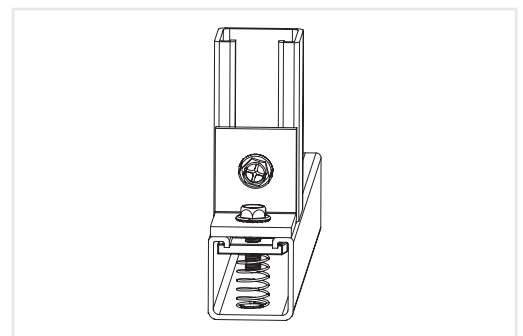
1. Insert channel nut anywhere along the continuous channel slots. Spring holds back nut in place.



2. A 90° twist to allow serrated edge of the channel nut to grip in-turned lips of the channel.



3. Place appropriate fitting over channel nut and insert bolt for connection.



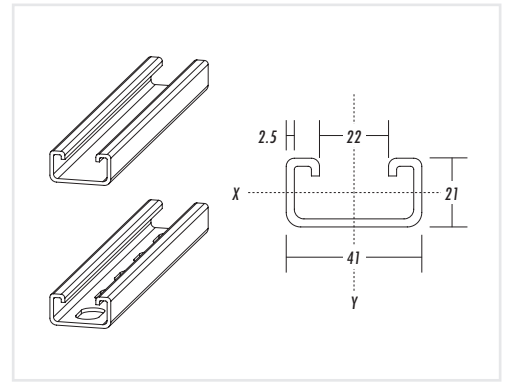
4. To tighten bolt with wrench for complete assembly.



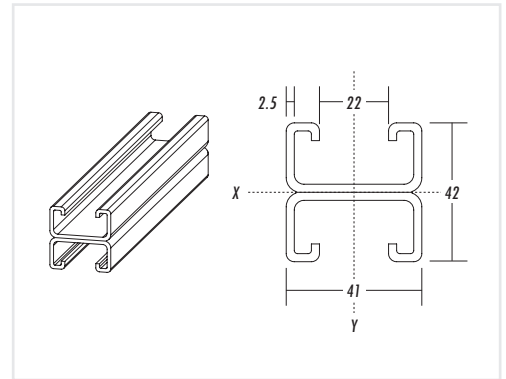
U-Channels

承托骨架

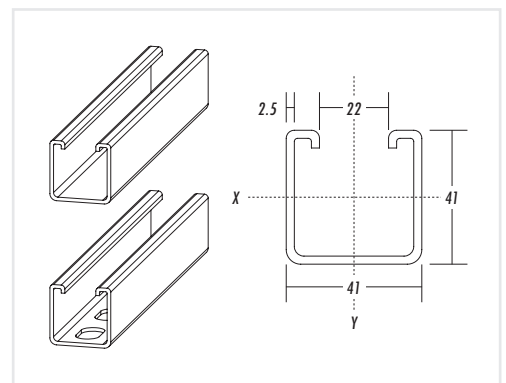
Part No.	Type	X – X Axis			Y – Y Axis			Weight kgs/M	Area CM ²
		Icm ⁴	Zcm ³	Rcm	Icm ⁴	Zcm ³	Rcm		
UC 4121	Plain	1.20	0.99	0.72	5.45	2.65	1.51	1.81	2.30
UC 4121S	Slotted	0.99	0.90	0.70	5.30	2.56	1.62	1.60	1.96



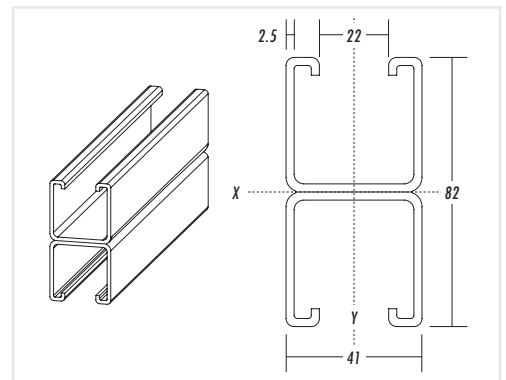
Part No.	Type	X – X Axis			Y – Y Axis			Weight kgs/M	Area CM ²
		Icm ⁴	Zcm ³	Rcm	Icm ⁴	Zcm ³	Rcm		
UCD 4121	Plain	5.68	3.13	1.13	10.74	5.20	1.55	3.62	4.46



Part No.	Type	X – X Axis			Y – Y Axis			Weight kgs/M	Area CM ²
		Icm ⁴	Zcm ³	Rcm	Icm ⁴	Zcm ³	Rcm		
UC 4141	Plain	7.36	3.15	1.48	9.28	4.5	1.65	2.66	3.30
UC 4141S	Slotted	6.15	2.92	1.43	9.25	4.46	1.74	2.50	3.00



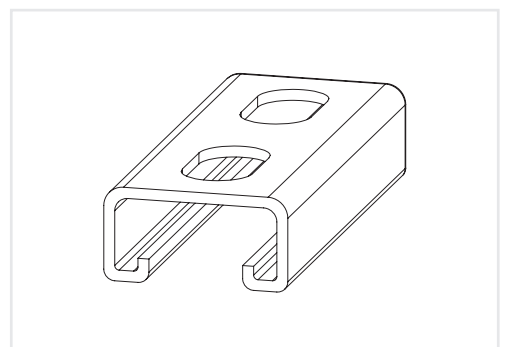
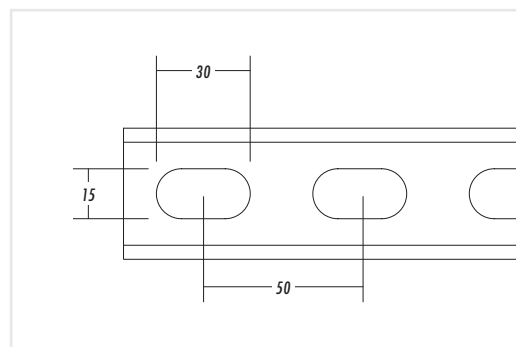
Part No.	Type	X – X Axis			Y – Y Axis			Weight kgs/M	Area CM ²
		Icm ⁴	Zcm ³	Rcm	Icm ⁴	Zcm ³	Rcm		
UCD 4141	Plain	36.30	8.85	2.33	18.52	8.96	1.66	5.30	6.60



All U-channels supplied in standard length 3 meter. Special length is also available upon customer request.

Materials Standard:

- Galvanized Steel Sheet to BS4678
Part 1: Class 3 Protection to BS EN10143(Coating Mass 275g/m²)
- Mild Steel Sheet to BS1449-1 or BS EN 10149-1 finished in Hot-dipped Galvanized after Perforation to ISO1461
- Stainless Steel to Grade 304 or Grade 316
- Other Material or Coating:
 - Aluminum Steel Sheet
 - Plastic Coated
 - Epoxy / Polyester Powder Coated



Standard slot size: 30mm x 15mm x 50mm pitch