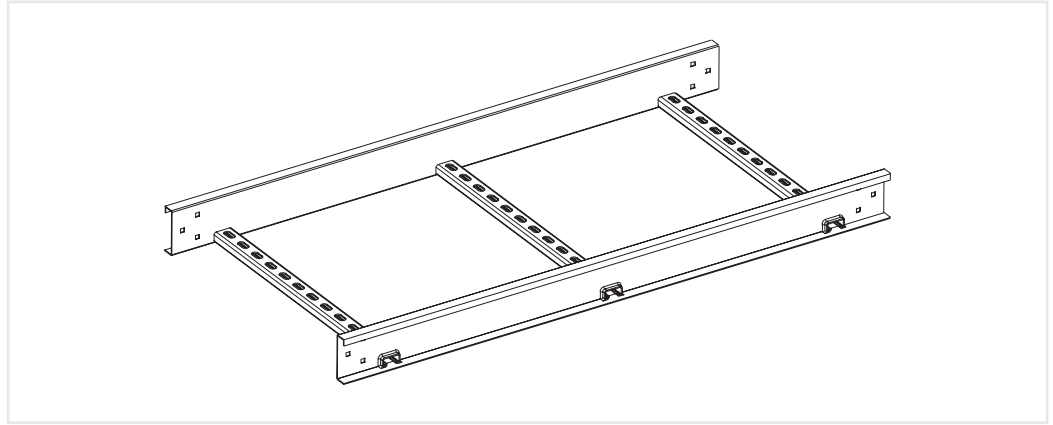




Cable Ladder

電纜梯架



Technical Specification:

- BS EN61537 or IEC61537 to class 5
- Each length supplied with coupler, tinned earth link and fixing screws.
- Standard length is 2.44m/ Non standard thickness and finishes available to clients order.
- Customize size is available for order upon request.

Thickness of side member:

- 1.5mm for KTCL50 or 2.0mm for KTCL100, KTCL150

Size of slotted hole for rung:

- 30 x 15mm or special for client order

Span of rung:

- 150mm for top, end & 300mm center

Fixed method of side member & rung:

- Welding for mild steel & stainless steel
- Crimp for aluminum alloy.

Materials Standard:

- Galvanized Steel Sheet to BS4678
- Part 1: Class 3 Protection to BS EN10143 (Coating Mass 275g/m2)
- Standard product code +/GI

- Mild Steel Sheet to BS1449-1 or BS EN 10149-1 finished in Hot-dipped Galvanized after Perforation to ISO1461
- Standard product code +/HDG

- Stainless Steel to Grade 304 or Grade 316
- Standard product code +/SS304 or +/SS316

Other Material or Coating:

- Aluminum Steel Sheet
- Plastic Coated
- Epoxy / Polyester Powder Coated

Duty	Thk. (mm)	Side Member	Rung	Material
Light Duty				
KTCL 50	1.5			HDG GI EPC PC SS304 SS316
Heavy Duty				
KTCL 100	2.0			HDG GI EPC PC SS304 SS316
Extra Heavy Duty				
KTCL 150	2.0			HDG GI EPC PC SS304 SS316

Standard Product Code, i.e.:

300 x 100mm cable ladder 2.44m, hot-dipped galvanized after perforation = KTCL100/300/HDG

300 x 100mm cable ladder 90degree bend, hot-dipped galvanized after perforation

= KTCL100.B/300/90°

Ladder Width (mm):

100, 150, 200, 250, 300, 350, 400, 450, 500, 550, 600, 650, 700, 750, 800, 850, 900, 1000, 1050, 1100, 1150, 1200