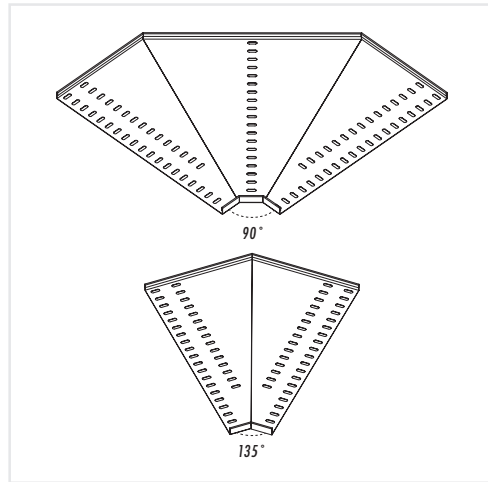




Tray Fitting
電纜托盤配件

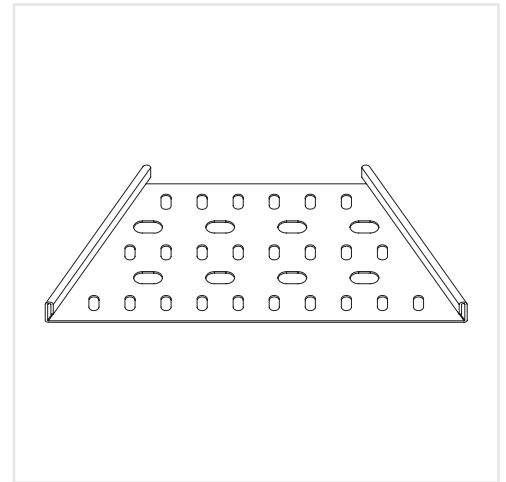


90 Deg / 135 Deg Bends 90度 / 135度大曲面

Basic Code

CT Series – CTB, RCT Series – RCTB

HCT Series – HCTB, HCT + Series HCTBx

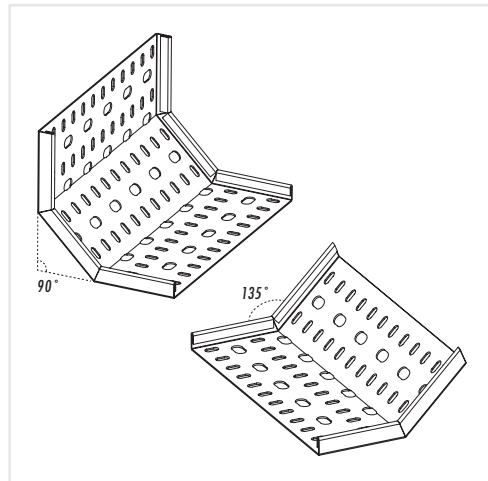


Reducer 直刁士

Basic Code

CT Series – CTR, RCT Series – RCTR

HCT Series – HCTR, HCT+ Series – HCTRx

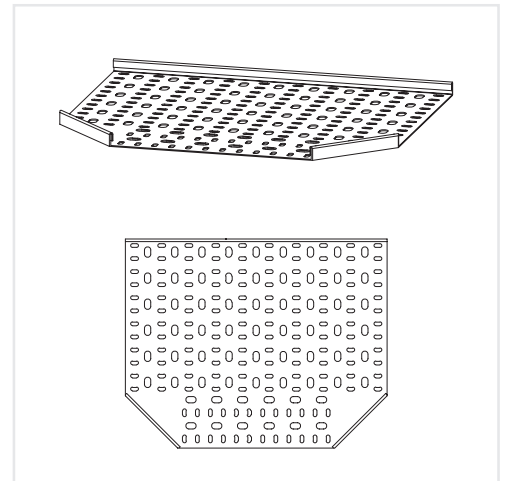


90 Deg / 135 Deg Internal Riser 90度 / 135度內曲

Basic Code

CT Series – CTI, RCT Series – RCTI

HCT Series – HCTI, HCT + Series HCTIx

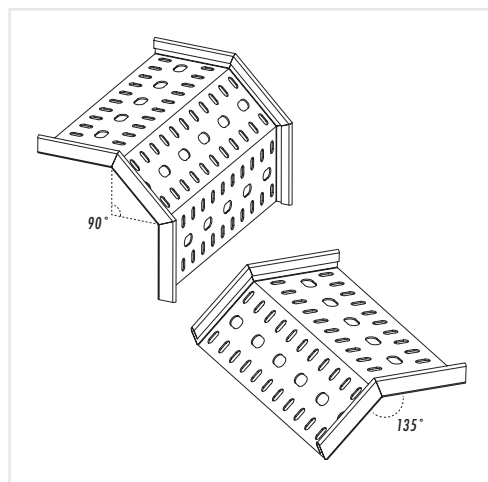


Tees T三叉

Basic Code

CT Series – CTT, RCT Series – RCTT

HCT Series – HCTT, HCT + Series HCTTx

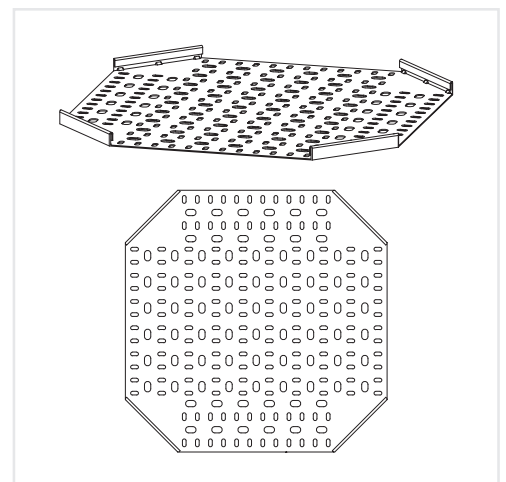


90 Deg / 135 Deg External Riser 90度 / 135度外曲

Basic Code

CT Series – CTE, RCT Series – RCTE

HCT Series – HCTE, HCT + Series HCTEx



Cross 十字叉

Basic Code

CT Series – CTC, RCT Series – RCTC

HCT Series – HCTC, HCT + Series HCTCx

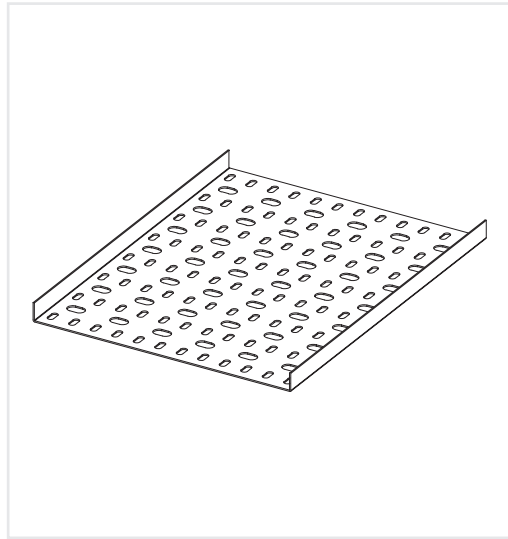
Cable Tray Standard Width and Thickness

Slotted Hole Detail

C/C of each slots: 25mm

Big slot size: 20 x 11mm

Small slot size: 20 x 8mm



Standard Product Code, i.e.:

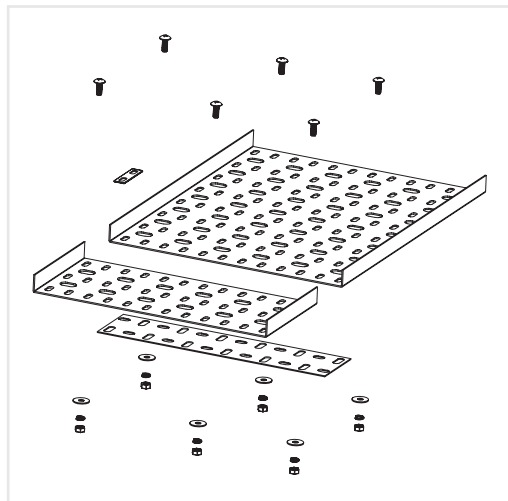
100mm x 1.2mm thk, single edge cable tray 2.44m, hot-dipped galvanized after perforation
= CT/100/1.2/HDG

100mm x 1.2mm thk, single edge 90 degree bend, hot-dipped galvanized after perforation
= CTB/100/90°

Standard Width (mm)	Available Material Thickness (mm)
50	1.2 / 1.5 / 1.6 / 2.0
75	1.2 / 1.5 / 1.6 / 2.0
100	1.2 / 1.5 / 1.6 / 2.0
150	1.2 / 1.5 / 1.6 / 2.0
200	1.2 / 1.5 / 1.6 / 2.0
225	1.2 / 1.5 / 1.6 / 2.0
250	1.2 / 1.5 / 1.6 / 2.0
300	1.2 / 1.5 / 1.6 / 2.0
350	1.2 / 1.5 / 1.6 / 2.0
400	1.2 / 1.5 / 1.6 / 2.0
450	1.2 / 1.5 / 1.6 / 2.0
500	1.2 / 1.5 / 1.6 / 2.0
550	1.2 / 1.5 / 1.6 / 2.0
600	1.2 / 1.5 / 1.6 / 2.0
650	1.2 / 1.5 / 1.6 / 2.0
700	1.2 / 1.5 / 1.6 / 2.0
750	1.2 / 1.5 / 1.6 / 2.0
800	1.2 / 1.5 / 1.6 / 2.0
850	1.2 / 1.5 / 1.6 / 2.0
900	1.2 / 1.5 / 1.6 / 2.0
950	1.2 / 1.5 / 1.6 / 2.0
1000	1.2 / 1.5 / 1.6 / 2.0
1050	1.2 / 1.5 / 1.6 / 2.0
1100	1.2 / 1.5 / 1.6 / 2.0
1150	1.2 / 1.5 / 1.6 / 2.0
1200	1.2 / 1.5 / 1.6 / 2.0

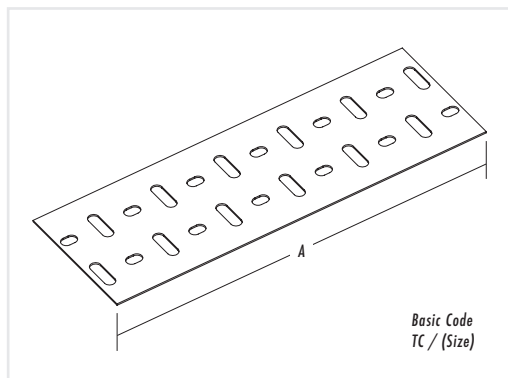


Method of Jointing



Bottom Jointing

CT / RCT / HCT Series

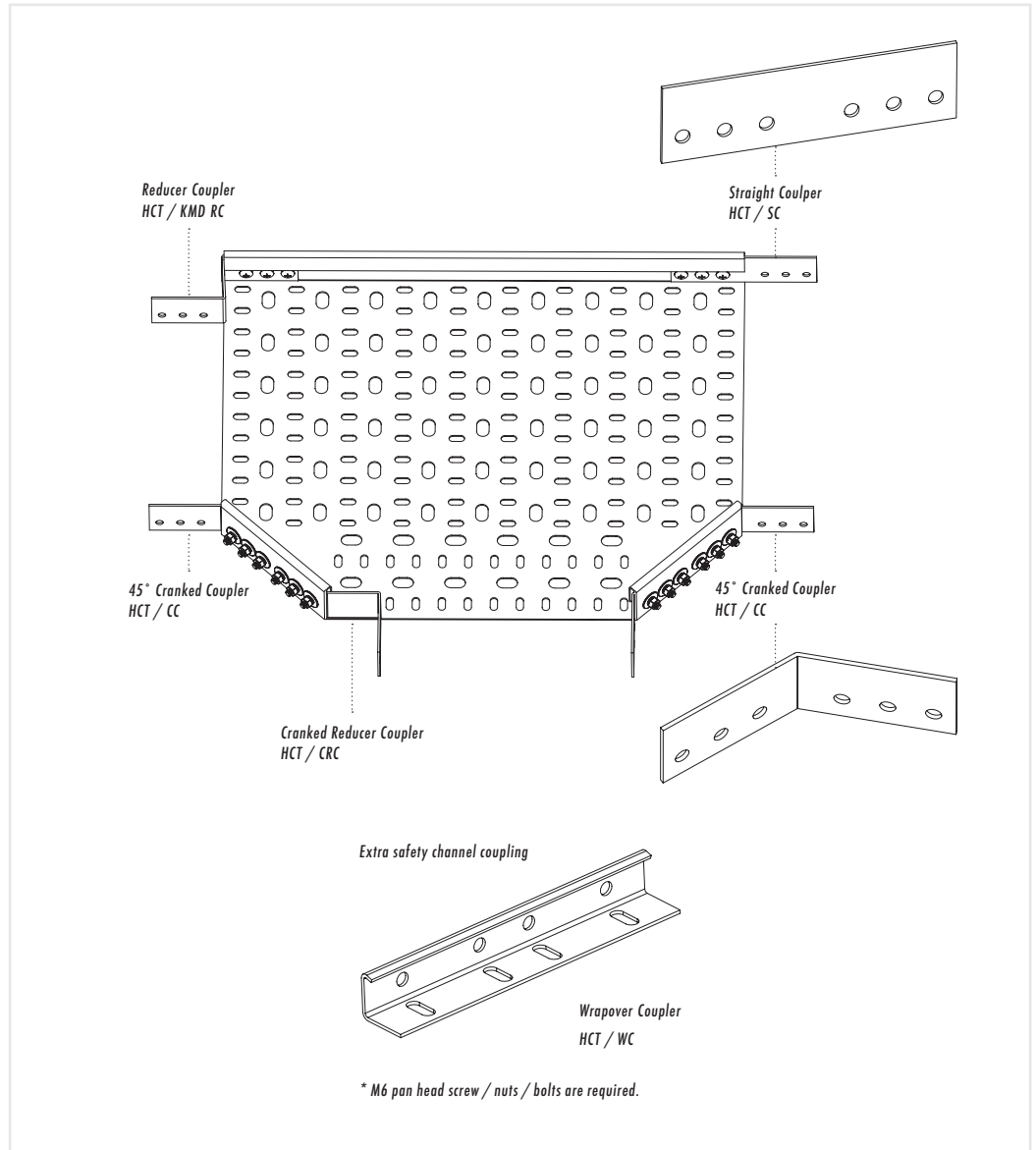


Basic Code
TC / (Size)

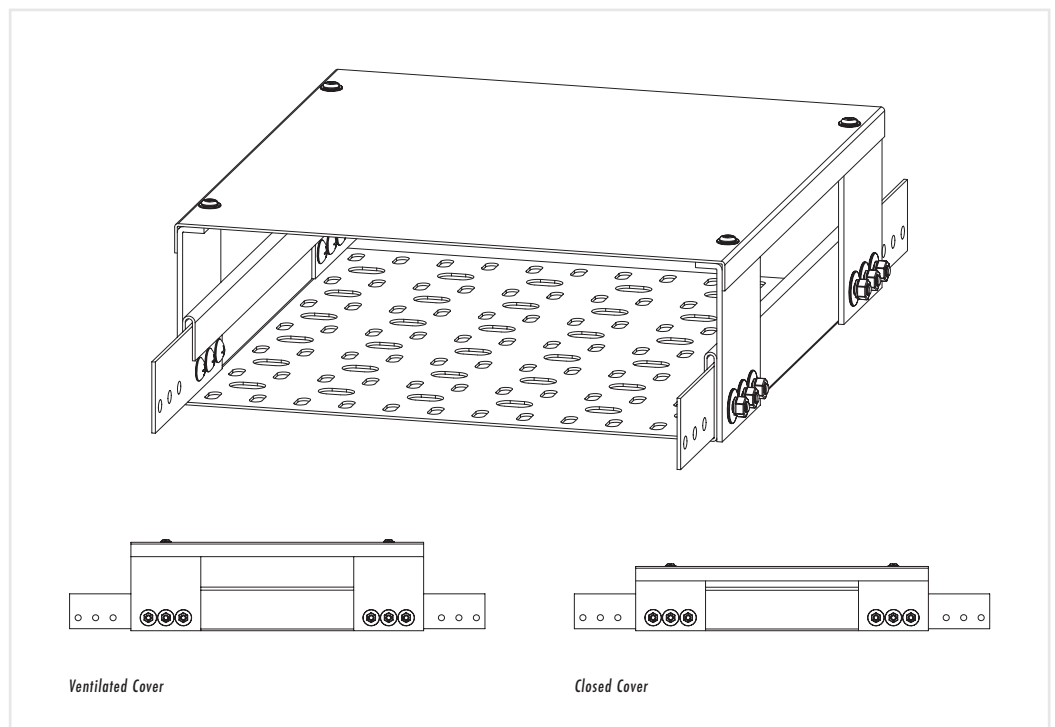
Tray Width	A	No. of Bolts Required
50	45	4
75	70	4
100	95	4
150	145	4
200	195	4
300	295	6
450	395	6
600	595	8
750	745	8
900	895	8



Method of Jointing



Side Jointing HCT+ Series



Fixing Method of Tray Cover