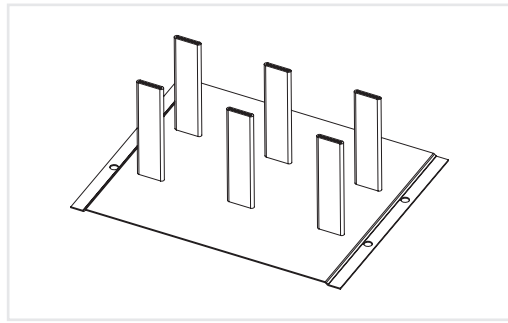
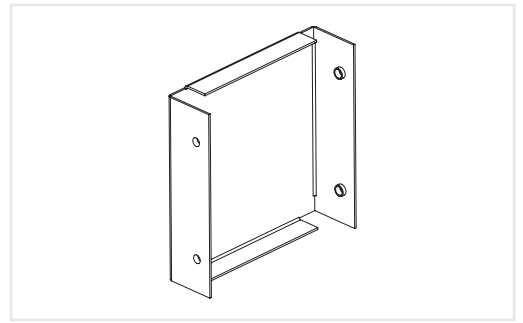




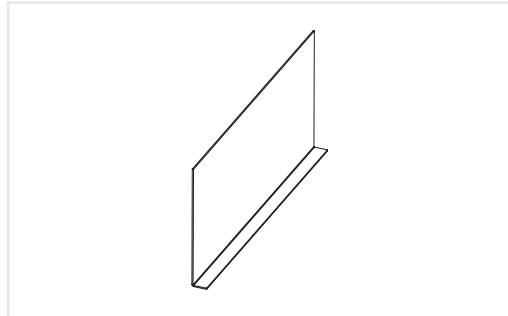
Accessories 配件



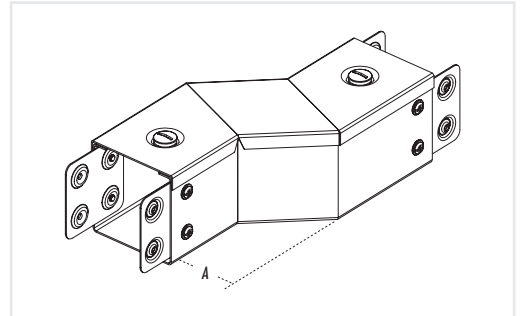
Pin Rack with Plastic Cover 線掛
DPR / (Size)



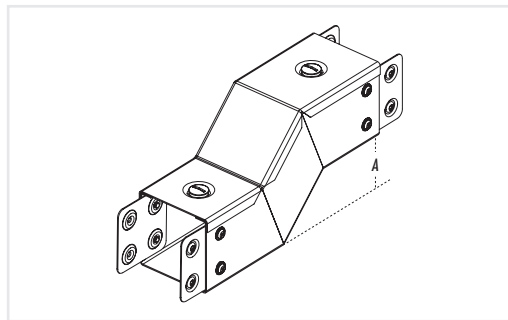
End Stop 槽尾封
EC / (Size)



Divider (1mm) 槽隔片
DIV / (Size)



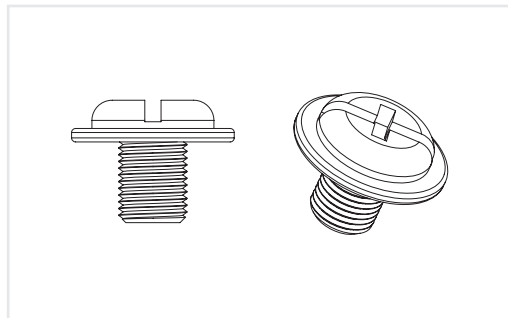
Horizontal Offset 水平之字
HOR / (Size)



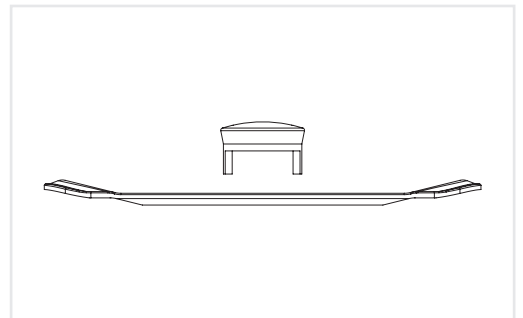
Vertical Offset 高低之字
VO / (Size)



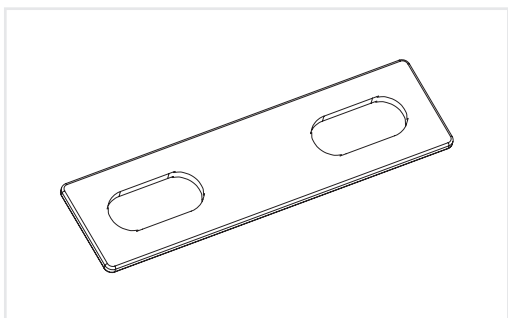
Spring Cap 槽夾
S / (Size)



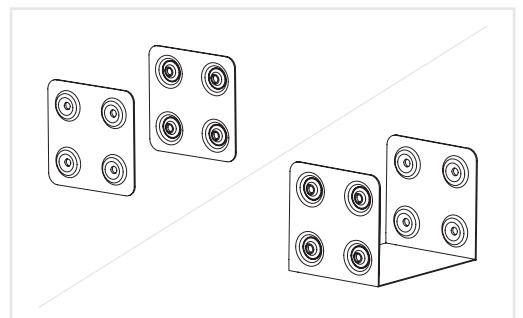
Flange Screw 槽駁螺絲
KFS / M5 Size or Other Size



Quick Fix Bar with Copper Screw 銅頭
Q / (Size)



Copper Earth Link 水線片
COP / (Size)



Trunking Coupler 槽駁片 or U-Shaped Connector U型駁口
C / (Size) or UC / (Size)