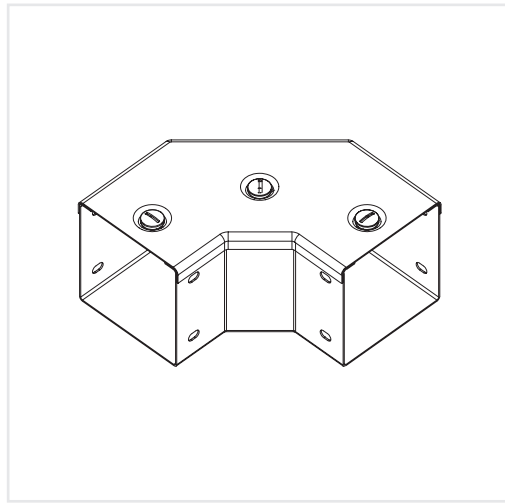
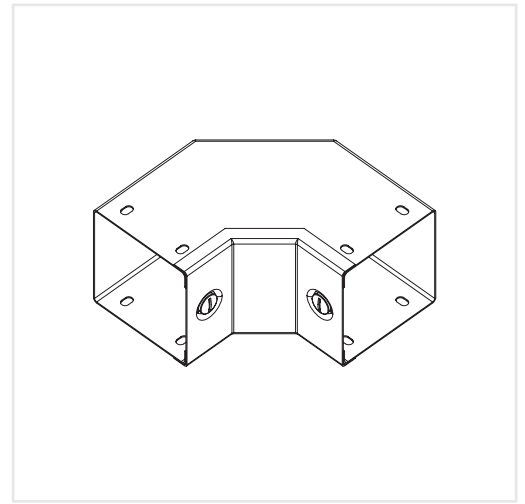




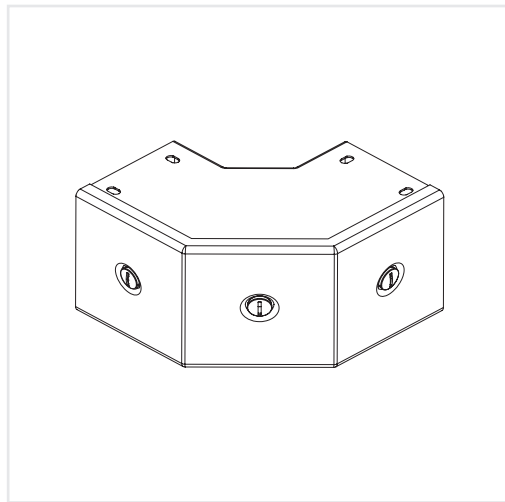
**Trunking
Fitting**
電線槽配件



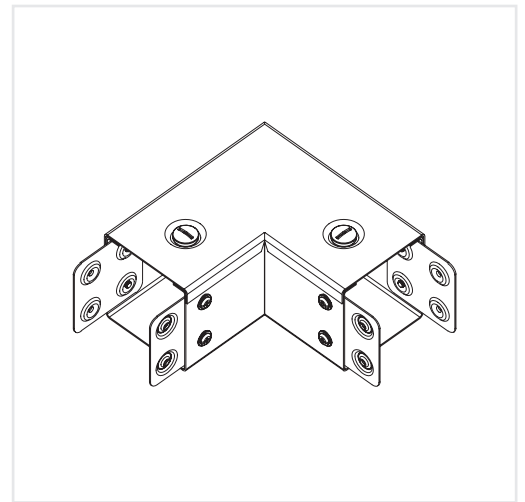
90 degree Front Opening Bend
(90度 大面曲)
B + / standard code



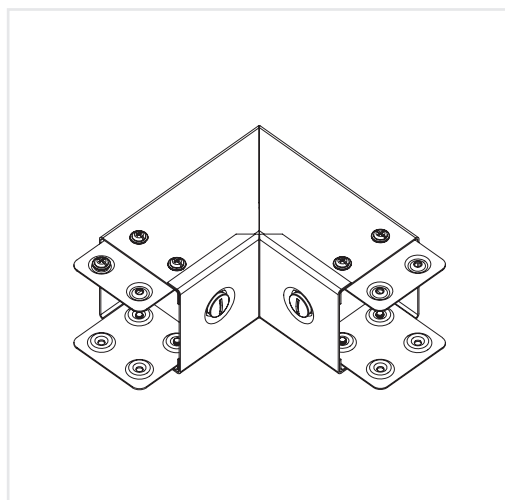
90 degree Internal Opening Bend
(90度 內曲)
IB + / standard code



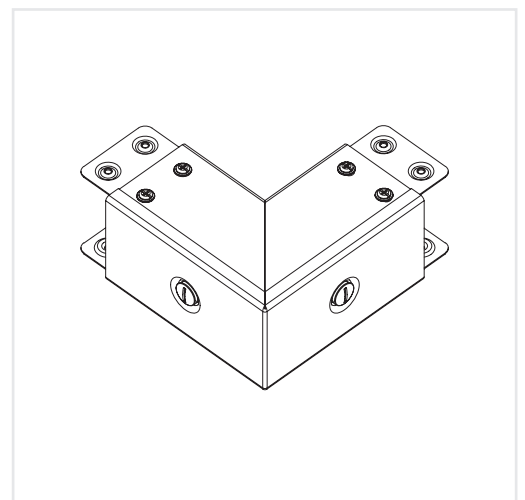
90 degree External Opening Bend
(90度 外曲)
EB + / standard code



90 degree Front Opening Elbow
(90度 直角面曲)
EBF + / standard code



90 degree Internal Opening Elbow
(90度 直角內曲)
EBI + / standard code

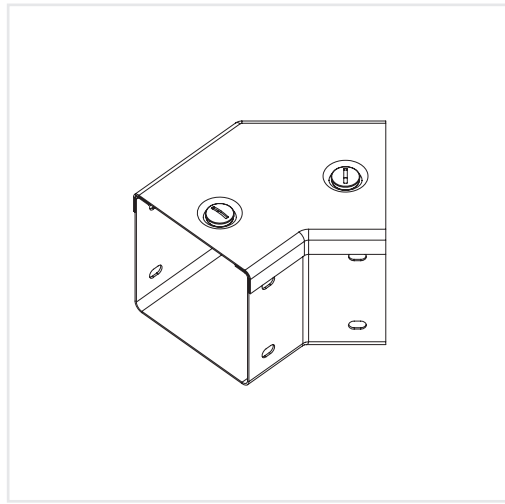


90 degree External Opening Elbow
(90度 直角外曲)
EBE + / standard code

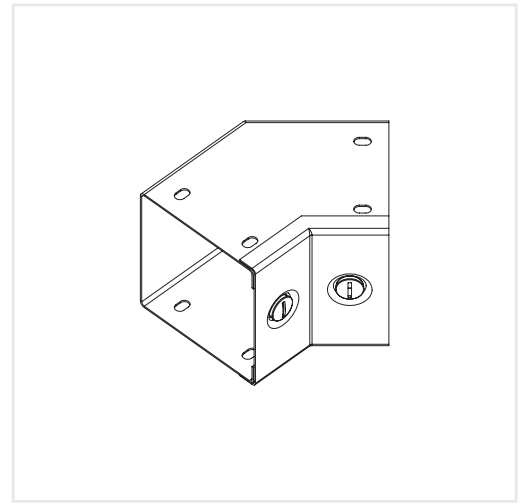
Thickness of fittings corresponds to trunking



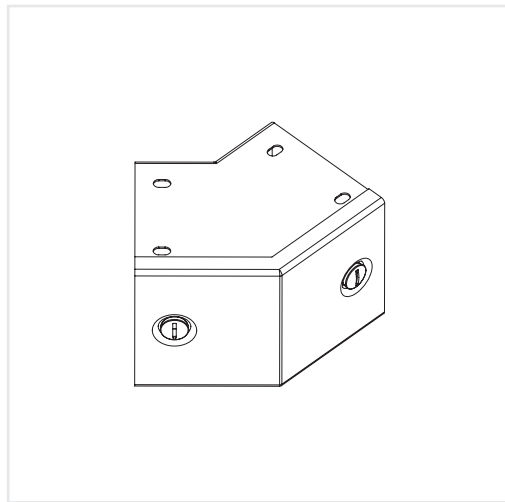
Trunking Fitting 電線槽配件



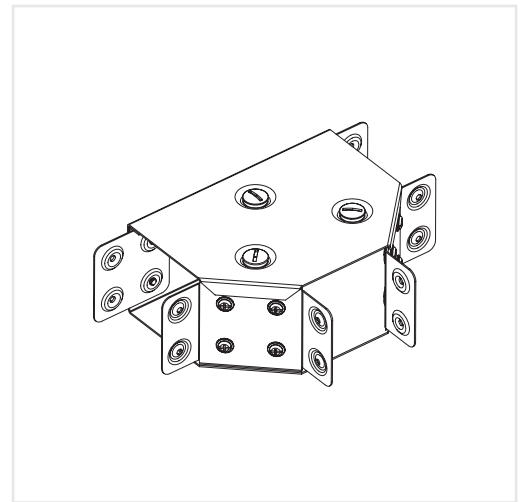
45 degree Front Opening Bend
(45度 面曲)
FB + / standard code



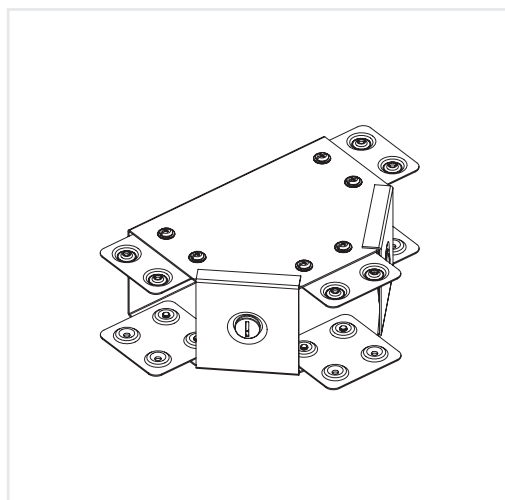
45 degree Internal Opening Bend
(45度 內曲)
FIB + / standard code



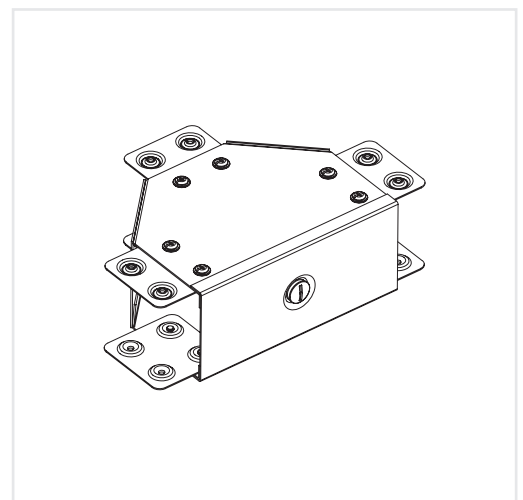
45 degree External Opening Bend
(45度 外曲)
FEB + / standard code



Front Opening Tee
(大面T)
T + / standard code



Internal Opening Tee
(細蓋T)
IT + / standard code

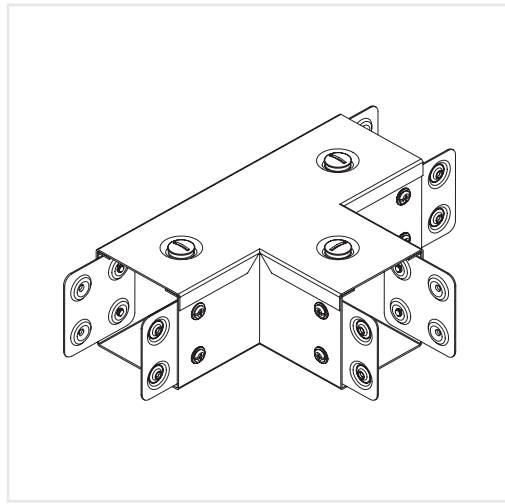


External Opening Tee
(頂蓋T)
ET + / standard code

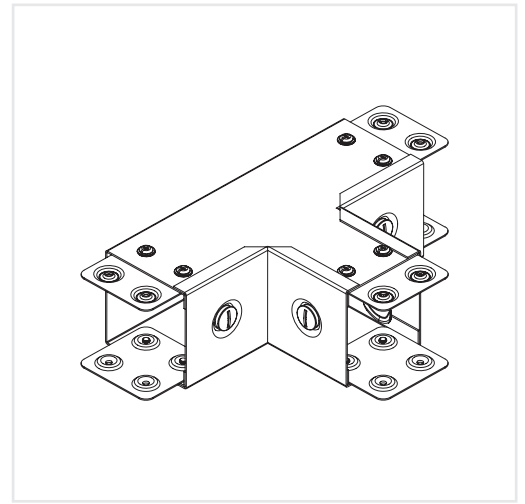


Trunking Fitting

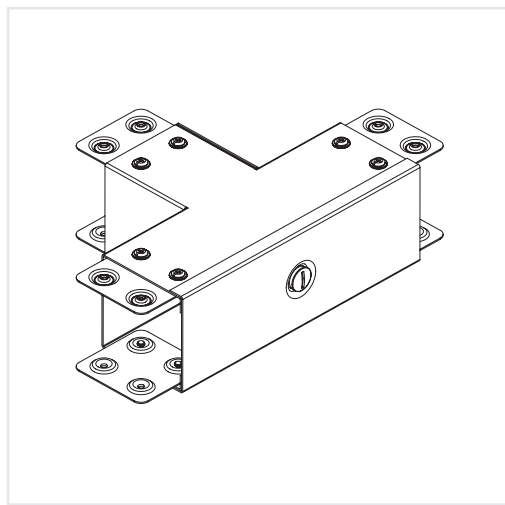
電線槽配件



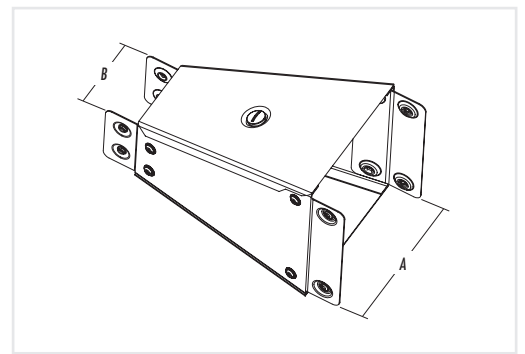
Front Opening Elbow Tee
(直角大面T)
TTF + / standard code



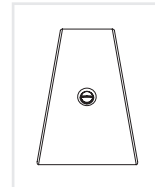
Internal Opening Elbow Tee
(直角細蓋T)
TTI + / standard code



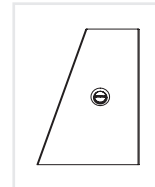
External Opening Elbow Tee
(直角頂蓋T)
TTE + / standard code



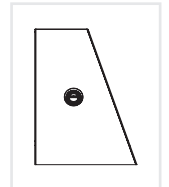
Reducer (直刁士)
+ / size A + / size B



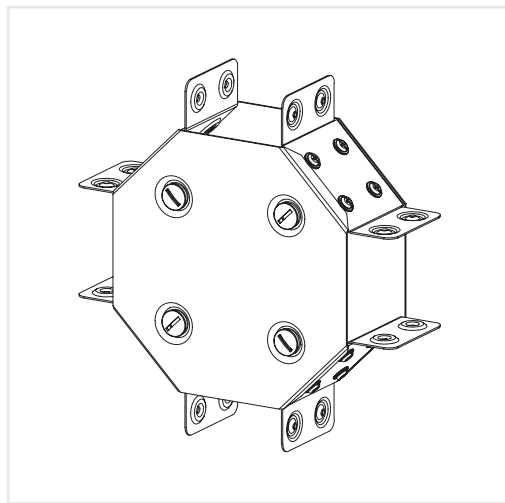
Centre (KTC)
(直刁)



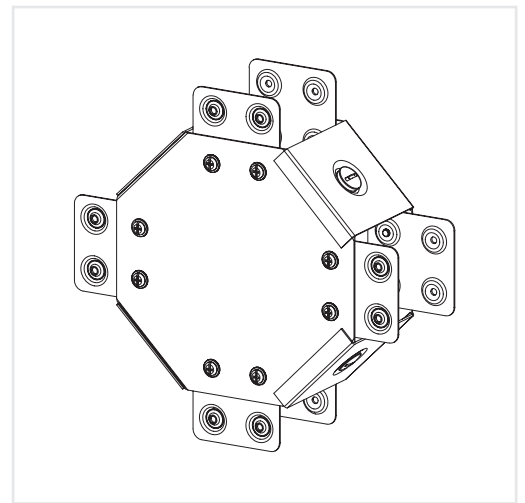
Left side (KTLH)
(左斜)



Right side (KTRH)
(右斜)



Front Opening Cross (大面十字)
CR + / standard code



Outside Opening Cross (細蓋十字)
SC + / standard code

Product Code i.e.:

100 x 100mm, 1.4mm thk. galvanized steel, spring capped fixed cover trunking
= KT/1010/SF/1.4/GI

100 x 100mm, 1.4mm thk. galvanized steel, spring capped fixed cover trunking, two-compartment
= KT/1010/SF/1.4/GI/2C