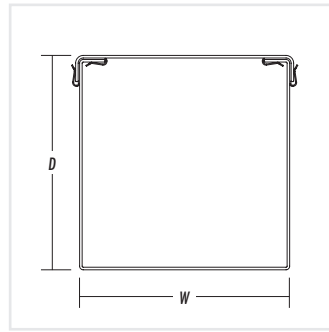


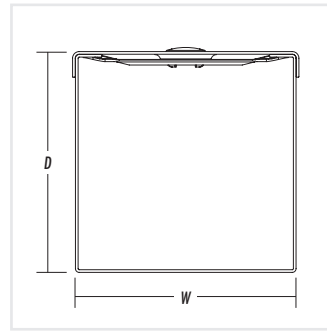


# Cable Trunking

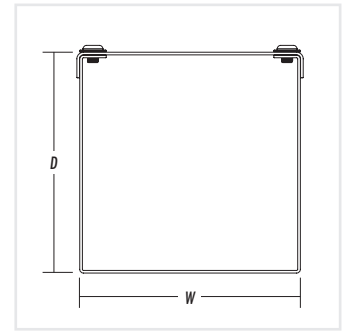
## 電線槽



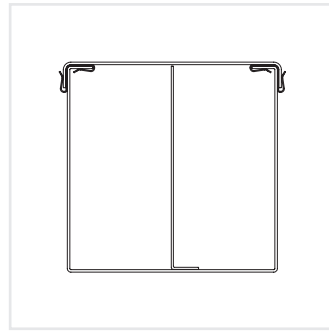
Spring Capped Fixed Cover  
(夾仔蓋)  
KT + / standard code+ / SF



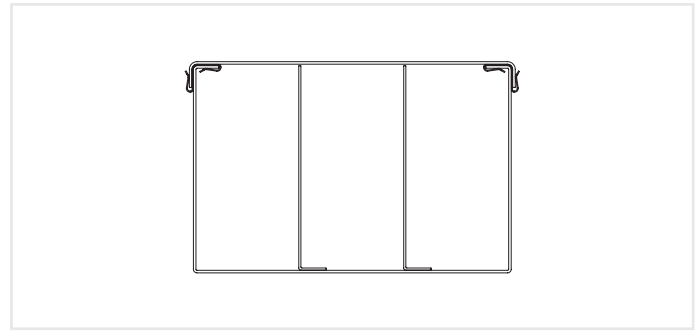
Turnbuckle Captive Screw Fixed Cover  
(肚臍蓋)  
KT + / standard code+ / QF



Screw Fixed Cover  
(螺絲蓋)  
KT+ / standard code+ / SO



Two – Compartment  
(分雙格)  
KT + / standard code+ / 2C



Three – Compartment  
(分三格)  
KT + / standard code+ / 3C

### Technical Specification:

- BS EN50085-1 or IEC61084-1
- Each length supplied with cover, coupler, tinned earth link and fixing screws.
- Standard length is 2.44m/ Non standard thickness and finishes available to clients order.
- Customize size is available for order upon request.
- Materials Standard:
  - Galvanized Steel Sheet to BS4678 Part 1: Class 3 Protection to BS EN10143 (Coating Mass 275g/m<sup>2</sup>) Standard product code +/GI
  - Mild Steel Sheet to BS1449-1 or BS EN10149-1 finished in Hot-dipped Galvanized after Perforation to ISO1461 Standard product code +/HDG
  - Stainless Steel to Grade 304 or Grade 316 Standard product code +/SS304 or +/SS316
  - Other Material or Coating:
    - Aluminum Steel Sheet
    - Plastic Coated
    - Epoxy / Polyester Powder Coated

Standard Size (mm) W x D	Available Material Thickness (mm)	Standard Code
50 x 50	1.0 / 1.2 / 1.4 / 1/6	5050
75 x 50	1.2 / 1.4 / 1.6	7550
75 x 75	1.2 / 1.4 / 1.6	7575
100 x 50	1.2 / 1.4 / 1.6	1050
100 x 75	1.2 / 1.4 / 1.6	1075
100 x 100	1.2 / 1.4 / 1.6	1010
150 x 50	1.2 / 1.4 / 1.6	1550
150 x 75	1.2 / 1.4 / 1.6 / 1.8	1575
150 x 100	1.2 / 1.4 / 1.6 / 1.8	1510
150 x 150	1.2 / 1.4 / 1.6 / 1.8	1515
200 x 50	1.2 / 1.4 / 1.6 / 1.8	2050
200 x 75	1.2 / 1.4 / 1.6 / 1.8	2075
200 x 100	1.2 / 1.4 / 1.6 / 1.8	2010
200 x 150	1.2 / 1.4 / 1.6 / 1.8	2015
200 x 200	1.4 / 1.6 / 1.8 / 2.0	2020
250 x 100	1.4 / 1.6 / 1.8 / 2.0	2510
250 x 150	1.4 / 1.6 / 1.8 / 2.0	2515
250 x 200	1.4 / 1.6 / 1.8 / 2.0	2520
250 x 250	1.4 / 1.6 / 1.8 / 2.0	2525
300 x 100	1.4 / 1.6 / 1.8 / 2.0	3010
300 x 150	1.4 / 1.6 / 1.8 / 2.0	3015
300 x 200	1.4 / 1.6 / 1.8 / 2.0	3020
300 x 300	1.4 / 1.6 / 1.8 / 2.0	3030
400 x 100	1.4 / 1.6 / 1.8 / 2.0	4010
400 x 150	1.4 / 1.6 / 1.8 / 2.0	4015
400 x 200	1.4 / 1.6 / 1.8 / 2.0	4020
400 x 250	1.4 / 1.6 / 1.8 / 2.0	4025
400 x 300	1.4 / 1.6 / 1.8 / 2.0	4030
400 x 400	1.4 / 1.6 / 1.8 / 2.0	4040